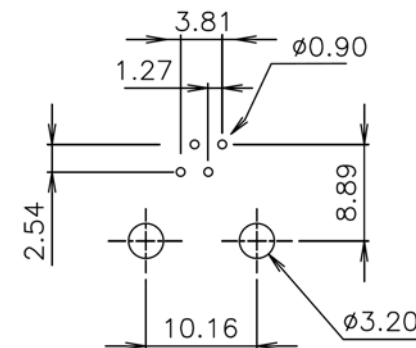
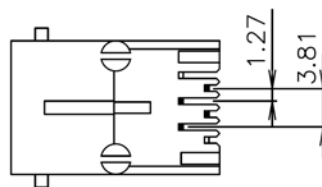
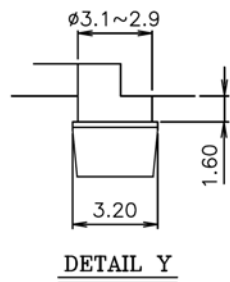
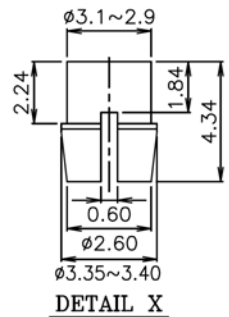


**SPECIFICATIONS**

Housing: PBT Polyester UL94V-0, Black  
 Contacts: 0.35mm Phos-Bronze  
 Gold and Gold Flash in Solder



Series	Positions	Contacts	Style	Color	Plating	Options
CTJ	X	XX	B1	BK	PX	XX
PCB mount modular jack, side entry	4,6,8	2,4,6,8	Side entry With flange	BK=Black	P0=6u" gold P1=15u" gold P2=30u" gold P3=50u" gold	[blank]=None WF=No flange

RoHS compliant

Rev.	Description	Date	Approved	Drawing	Name	Date
				Approved	Howard	08/28/08
				Checked	Lizzy	08/28/08
				Drawn	Tina	08/28/08
				0.0 ± 0.35	0.00 ± 0.20	Angles ± 3'
				UNIT: mm		

**Central Components Manufacturing**  
 440 Lincoln Blvd., Middlesex, New Jersey 08846  
 Phone 732 469-5720 888 288-5152 Fax 732 469-1919

Part No.: **CTJ-6-04-B1-BK-PX-WF**  
 Description: Side Entry PCB Jack (6P4C)