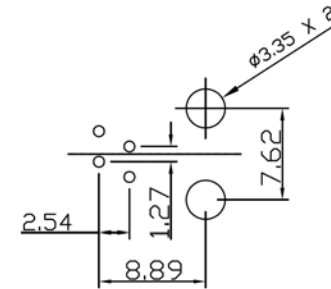
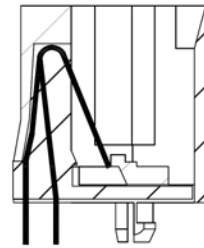
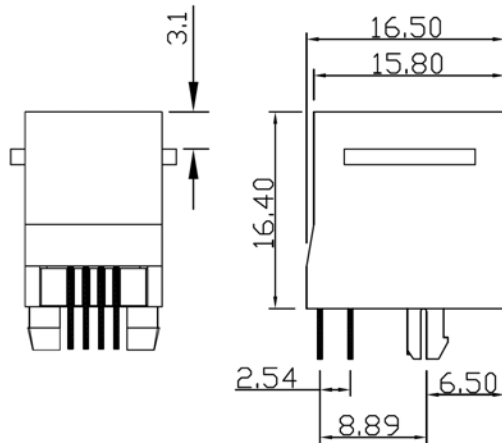


SPECIFICATIONS

Housing: PBT UL94V-0, Black
 Conductor: 0.35 x 0.42mm Thickness Phosphor Bronze
 Plating: Gold Over Nickel on Contact
 Tin plating over Nickel on Solder



PCB LAYOUT / TOP VIEW



N: None Panelstop



Series	Positions	Contacts	Style	Color	Plating	Options
CTJ	X	XX	D	XX	PX	
Modular phone jack	4,6,8,10	2, 4, 6, 8, 10 (See table)	D style, top entry	BK=Black GY=Gray	P1=15 μ " gold P2=30 μ " gold P3=50 μ " gold	[blank]=Flange WF=No flange FS=Full Shield KY=Keyed

RoHS compliant

Rev.	Description	Date	Approved	Drawing	Name	Date
				Approved	Howard	04/02/07
				Checked	Lizzy	04/02/07
				Drawn	Tina	04/02/07
				0.0 \pm 0.35	0.00 \pm 0.20	Angles \pm 3'
					UNIT: mm	

Central Components Manufacturing
 440 Lincoln Blvd., Middlesex, New Jersey 08846
 Phone 732 469-5720 888 288-5152 Fax 732 469-1919

Part No.: **CTJ-4-04-D-XX-XX**

Description: Modular Jack 260 4P4C Top Entry