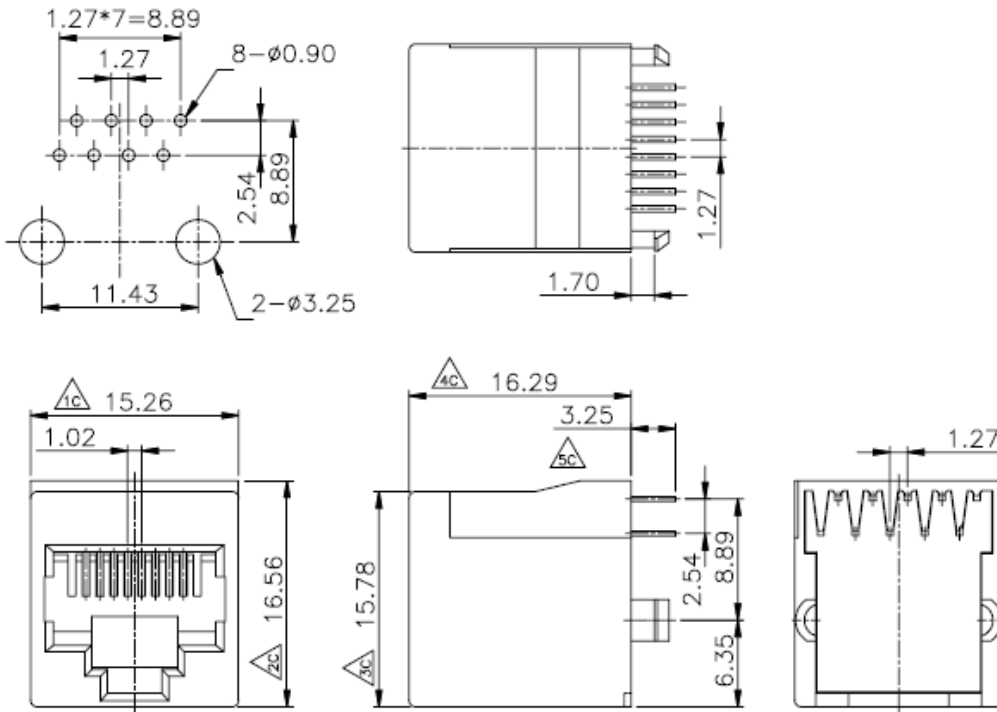


P.C.B LAYOUT TOP VIEW



SPECIFICATIONS

Housing Material: Thermoplastic, UL94V-0
 Contact Material: 0.35mm Phosphor Bronze
 Plating: Gold over Nickel in contact
 Tin over Nickel in solder area

Series	Position	Contacts	Style	Color	Plating	Options
CTJ	X	XX	3009	BK	PX	XX
Modular phone jack	4,6,8,10	2,4,6,8,10 (see table)	Top entry stamped pin	BK=Black	P0=6u" gold P1=15u" gold P2=30u" gold P3=50u" gold	[blank]=flange WF=No flange FS=Full shield KY=Keyed

RoHS compliant

Rev.	Description	Date	Approved	Drawing	Name	Date
				Approved	Howard	05/29/09
				Checked	Lizzy	05/29/09
				Drawn	Tina	05/29/09

Central Components Manufacturing
 440 Lincoln Blvd., Middlesex, New Jersey 08846
 Phone 732 469-5720 888 288-5152 Fax 732 469-1919

Part No.: **CTJ-10-08-3009-BK-XX**

Description: Top Entry PCB Jack 10P8C

0.0 ± 0.35 0.00 ± 0.20 Angles ± 3°
 UNIT: mm

