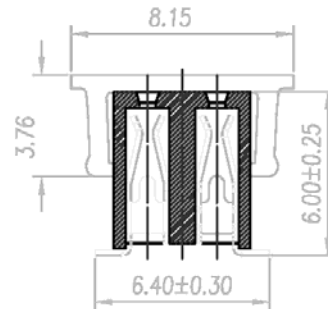
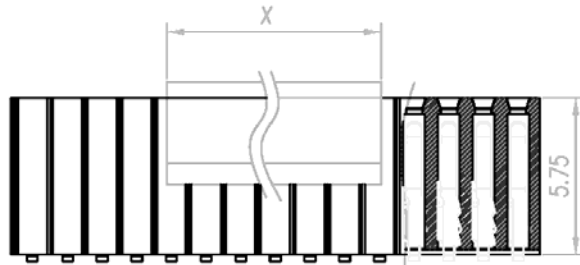
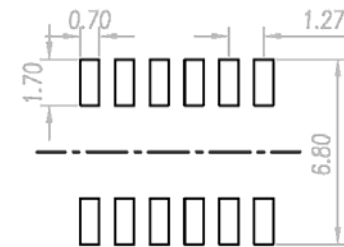


SPECIFICATIONS

Current rating: 1 amp
 Contact material: Phosphor bronze
 Contact resistance: 20 milliohms max.
 Insulator material: Polyester (Nylon 6T), UL94V-0
 Insulator resistance: 1000 megohms min
 Withstanding: 300VAC for 1 min.
 Operating temperature: -40°C to 105°C

Recommended P.C.Board Hole Layout



X Dimensions	
4.00mm	03-25 pins
10.15mm	26-50 pins

Series	Rows	Profile	Pins per row	Tail Spread	Plating	Options
CRS	02	HPB	XX	A	XX	SM
Receptacle Strip .05"x.100" pitch	02=Dual row	HPB=6mm profile	03-50	A=Standard 6.4mm	TN=Tin SG=Duplex GD=Gold	SM=Surface mount CP=Centering Pin PPL=Pick & Place Pin

RoHS compliant

Rev.	Description	Date	Approved	Drawing	Name	Date
				Approved	Howard	08/10/99
				Checked	Lizzy	08/10/99
				Drawn	Tina	08/10/99
				0.0 ± 0.35	0.00 ± 0.20	Angles ± 3'
				UNIT: mm		

Central Components Manufacturing
 440 Lincoln Blvd., Middlesex, New Jersey 08846
 Phone 732 469-5720 888 288-5152 Fax 732 469-1919

Part No.: **CRS-02-HPB-XX-A-XX-SM**

Description: Female header, .05+.100" (1.27mm x 2.54mm) pitch, dual rows, SMT type