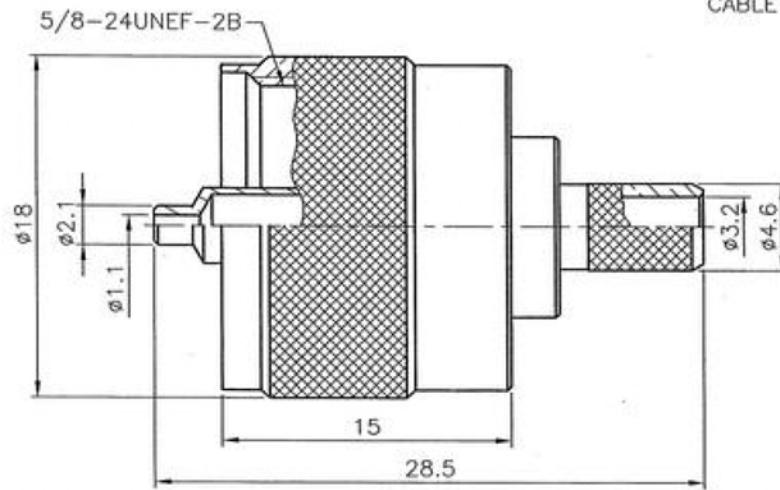


RECOMMENDED
CABLE STRIPPING DIM'S



CRIMPED FERRULE
Hex Crimp Size .213" (5.41mm)

CRIMPED CONTACT PIN
Hex Crimp Size .068" (1.72mm)

Item	Name	Material	Finish
1	Body	Brass PER QQ-B0626	Nickel PL 70 Min Thick Over Copper Strike
2	Braid Holder	Brass PER QQ-B0626	Nickel PL 70 Min Thick Over Copper Strike
3	Insulator	Delrin	White
4	Contact Pin	Brass PER QQ-B0626	Nickel PL 70 Min Thick Over Copper Strike
5	Shell	Brass PER QQ-B0626	Nickel PL 70 Min Thick Over Copper Strike
6	Ferrule	Brass JIS H 3250, C 2700	Nickel PL 70 Min Thick Over Copper Strike

RoHS compliant

Rev.	Description	Date	Approved	Drawing	Name	Date
				Approved	Howard	04/10/07
				Checked	Lizzy	04/10/07
				Drawn	Tina	04/10/07
				0.0 ± 0.35	0.00 ± 0.20	Angles ± 3'
						UNIT: mm

Central Components Manufacturing
440 Lincoln Blvd., Middlesex, New Jersey 08846
Phone 732 469-5720 888 288-5152 Fax 732 469-1919

Part No.: **CRF-UHF-7511NS-501CG001-B**

Description: UHF Crimp Plug (for RG-58C/U,58/U)