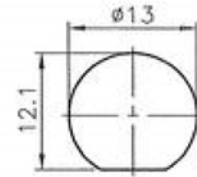


SPECIFICATIONS

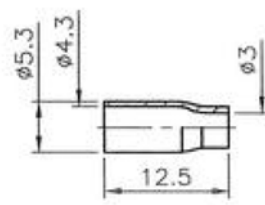
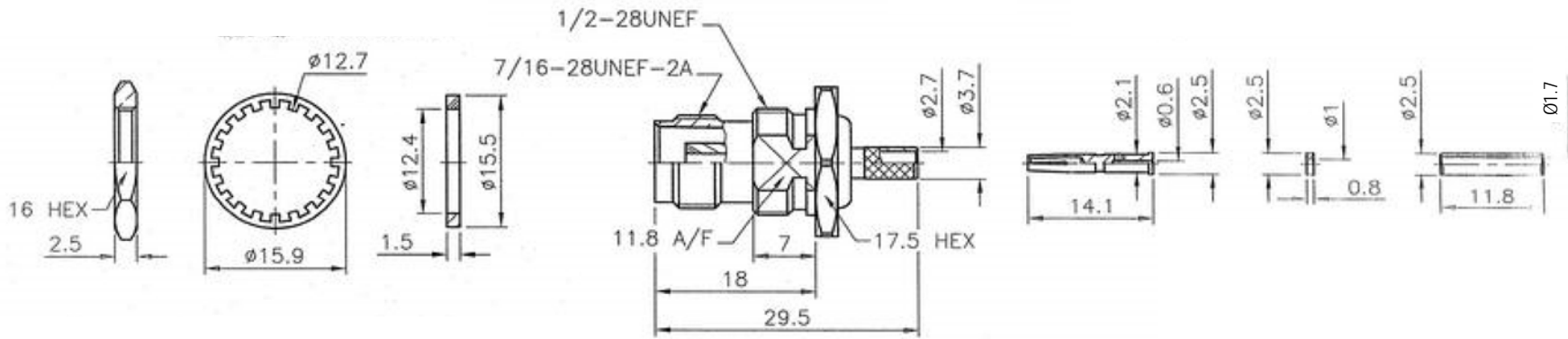
Crimped Ferrule: Hex Crimp Size .178"
 Crimped Contact Pin: Hex Crimp Size .068"
 Max. Panel Thickness: 3.5mm



RECOMMENDED
CABLE STRIPPING DIM'S



RECOMMENDED
MOUNTING HOLE



Item	Name	Material	Finish
1	Body	Brass	Nickel over Copper
2	Insulator	Teflon	White
3	Braid Holder	Brass	Nickel over Copper
4	Contact Pin	Phosphor Bronze	Gold over Nickel over Copper
5	Spacer	Teflon	White
6	Spacer	Brass	Nickel over Copper
7	Ferrule	Brass	Nickel over Copper
8	Gasket	Rubber	Orange
9	Washer	SS41	Nickel over Copper
10	Nut	Brass	Nickel over Copper

RoHS compliant

Rev.	Description	Date	Approved	Drawing	Name	Date
				Approved	Howard	03/20/09
				Checked	Lizzy	03/20/09
				Drawn	Tina	03/20/09
				0.0 ± 0.35	0.00 ± 0.20	Angles ± 3'
					UNIT: mm	

Central Components Manufacturing
 440 Lincoln Blvd., Middlesex, New Jersey 08846
 Phone 732 469-5720 888 288-5152 Fax 732 469-1919

Part No.: **CRF-TNC-7461DS-509BF000-B**

Description: TNC Bulkhead Crimp Jack
 (for RG-174/U, 188A/U, 316/U)