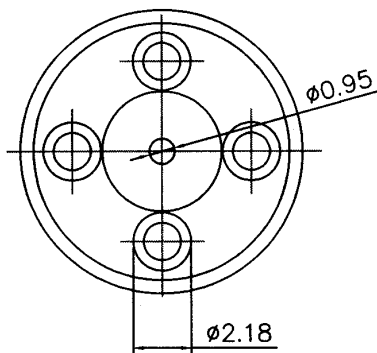
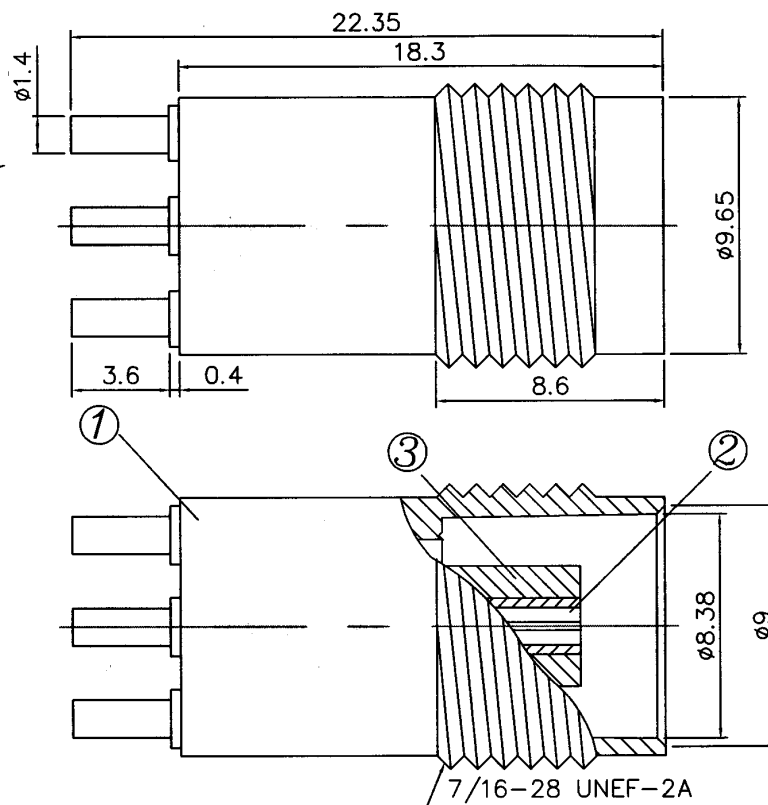


PCB HOLE PATTERN



SPECIFICATIONS

Voltage rating:	500 VRMS max.
Center contact resistance:	3 milliohms max.
Outer contact resistance:	2 milliohms max.
Insulation resistance:	5,000 megohms min.
Withstanding:	1,500 VRMS for 1min.
Frequency range:	0-4 GHz
VSWR:	1.3 max.



Item	Name	Material	Finish
1	Body	Brass	Nickel
2	Center contact	Phosphor bronze	Gold
3	Insulator	PE606	

RoHS compliant

Rev.	Description	Date	Approved	Drawing	Name	Date
				Approved	Howard	10/06/92
				Checked	Lizzy	10/06/92
				Drawn	Tina	10/06/92
				0.0 ± 0.35	0.00 ± 0.20	Angles ± 3'
				UNIT: mm		

Central Components Manufacturing
 440 Lincoln Blvd., Middlesex, New Jersey 08846
 Phone 732 469-5720 888 288-5152 Fax 732 469-1919

Part No.: **CRF-TNC-7459-BNTG-A**

Description: TNC jack, vertical PCB mount, 50 ohms