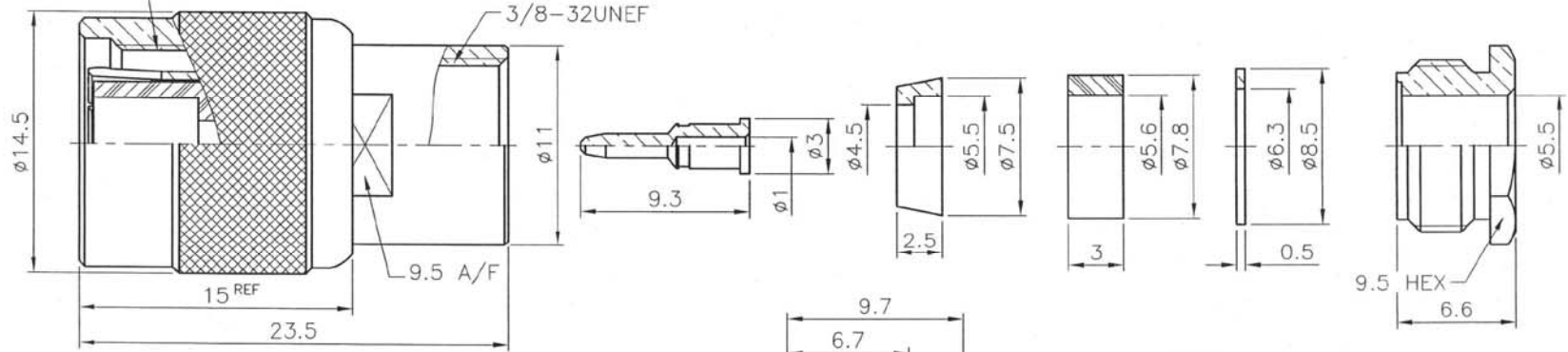


7/16-28UNEF-2B



Item	Name	Material	Finish
1	Body	Brass	Nickel over Copper
2	Insulator	Delrin	White
3	Washer	SS41	Nickel over Copper
4	Washer	Delrin	Natural
5	C Ring	SS41	Nickel over Copper
6	Gasket	Silicone	Red
7	Shell	Brass	Nickel over Copper
8	Contact Pin	Brass	Gold over Nickel over Copper
9	Braid Holder	Brass	Nickel over Copper
10	Gasket	Silicone	Orange
11	Washer	Brass	Nickel over Copper
12	Nut	Brass	Nickel over Copper

RECOMMENDED
CABLE STRIPPING DIM'S

RoHS compliant

Rev.	Description	Date	Approved	Drawing	Name	Date
				Approved	Howard	01/14/10
				Checked	Lizzy	01/14/10
				Drawn	Tina	01/14/10
				0.0 ± 0.35	0.00 ± 0.20	Angles ± 3'
						UNIT: mm

Central Components Manufacturing
440 Lincoln Blvd., Middlesex, New Jersey 08846
Phone 732 469-5720 888 288-5152 Fax 732 469-1919

Part No.: **CRF-TNC-7414NS-501CF003B**

Description: TNC Clamp Plug (for RG-58/U)