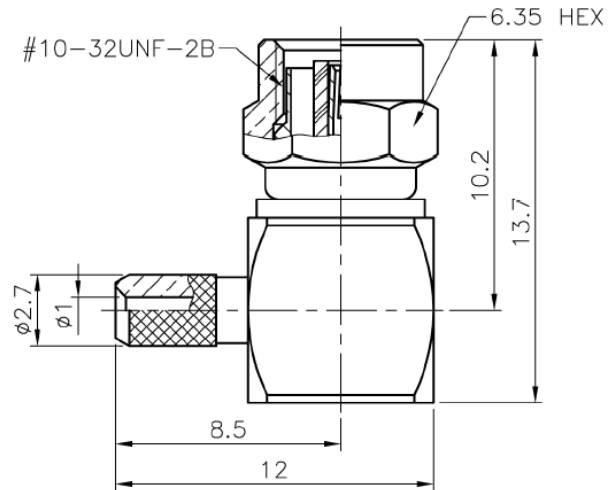
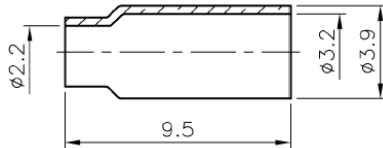
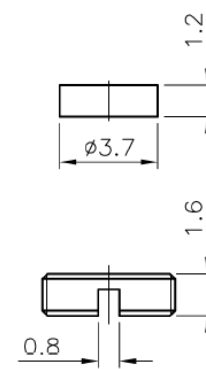


RECOMMENDED  
CABLE STRIPPING DIM'S



Item	Name	Material	Finish
1	Body	Brass per QQ-B-626	Gold 3 $\mu$ " over nickel 70 $\mu$ " over copper strike
2	Insulator	Teflon MIL-P-19468	White
3	Contact pin	Beryllium copper per QQ-C-530	Gold 30 $\mu$ " over nickel 70 $\mu$ " over copper strike
4	Braid holder	Brass per QQ-B-626	Gold 3 $\mu$ " over nickel 70 $\mu$ " over copper strike
5	Shell	Brass per QQ-B-626	Gold 3 $\mu$ " over nickel 70 $\mu$ " over copper strike
6	Ferrule	Brass JIS H 3250, C 2700	Gold 3 $\mu$ " over nickel 70 $\mu$ " over copper strike
7	Spacer	Teflon MIL-P-19468	White
8	Nut	Brass per QQ-B-626	Gold 3 $\mu$ " over nickel 70 $\mu$ " over copper strike



RoHS compliant

Rev.	Description	Date	Approved	Drawing	Name	Date
				Approved	Howard	05/11/06
				Checked	Lizzy	05/11/06
				Drawn	Tina	05/11/06
				0.0 $\pm$ 0.35	0.00 $\pm$ 0.20	Angles $\pm$ 3'
				UNIT: mm		

**Central Components Manufacturing**  
 440 Lincoln Blvd., Middlesex, New Jersey 08846  
 Phone 732 469-5720 888 288-5152 Fax 732 469-1919

Part No.: **CRF-SMC-9804-28BGTG-R**

Description: SMC right angle crimp plug