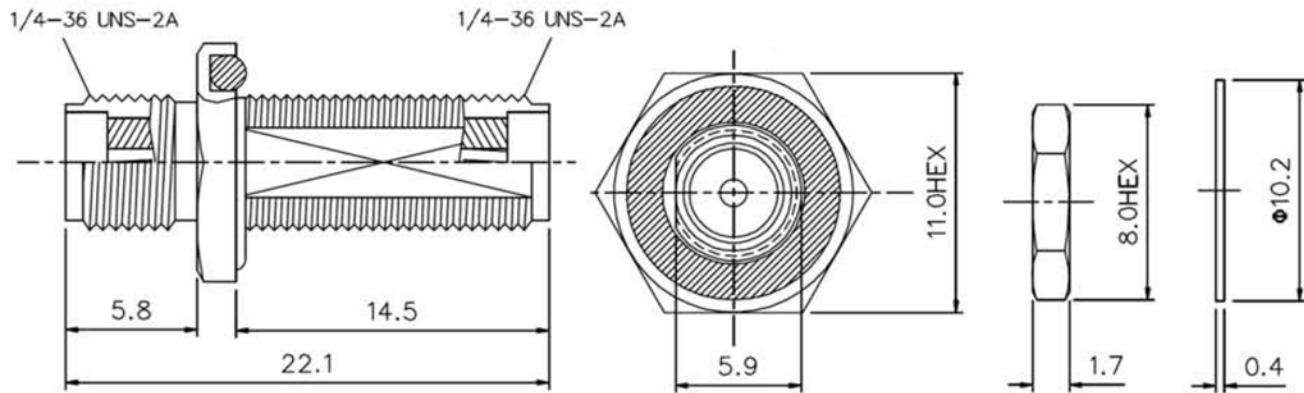


**SPECIFICATIONS**

Frequency: DC 10GHz  
 Impedance: 500HM  
 Voltage Rating: 335Vrms Max.  
 Withstanding: 1000Vrms Max.  
 Insulation Resistance: 5000 Megohms Min.  
 VSWR: 1.20:1 Max  
 Body Material: Brass, Gold Plated  
 Contact: Be. Copper, Gold Plated  
 Insulator Material: Teflon  
 Nut: Brass Gold  
 Washer: Brass, Gold Plated  
 Gasket: Silicon



RoHS compliant

Rev.	Description	Date	Approved	Drawing	Name	Date
				Approved	Howard	11/16/10
				Checked	Lizzy	11/16/10
				Drawn	Tina	11/16/10
				0.0 ± 0.35	0.00 ± 0.20	Angles ± 3'
					UNIT: mm	

**Central Components Manufacturing**  
 440 Lincoln Blvd., Middlesex, New Jersey 08846  
 Phone 732 469-5720 888 288-5152 Fax 732 469-1919

Part No.: **CRF-SMA-7878AS-50BGTG**

Description: 50ohm SMA Female to SMA Female B.H. Adapter