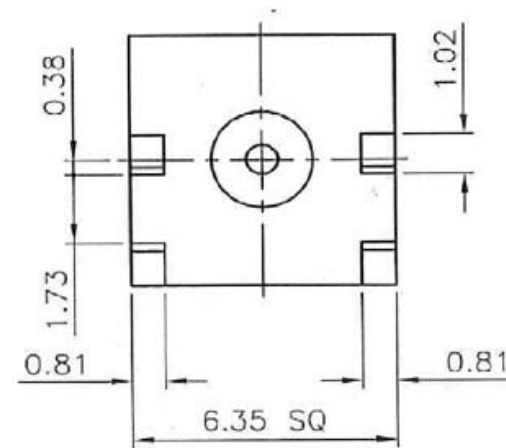
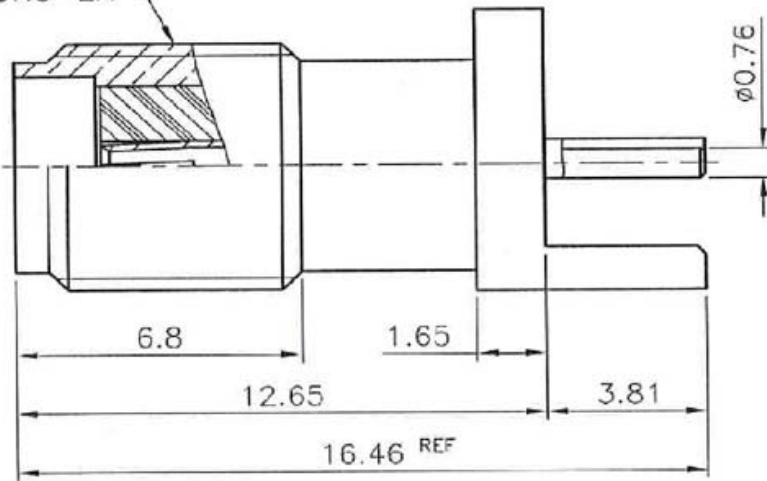


1/4-36UNS-2A



Item	Name	Material	Finish
1	Body	Brass	Gold
2	Insulator	Teflon	White
3	Contact Pin	Beryllium Copper	Gold

RoHS compliant

Rev.	Description	Date	Approved	Drawing	Name	Date
				Approved	Howard	07/24/08
				Checked	Lizzy	07/24/08
				Drawn	Tina	07/24/08
				0.0 ± 0.35	0.00 ± 0.20	Angles ± 3'
				UNIT: mm		

**Central Components Manufacturing**  
 440 Lincoln Blvd., Middlesex, New Jersey 08846  
 Phone 732 469-5720 888 288-5152 Fax 732 469-1919

Part No.: **CRF-SMA-7867LS-502BD010B**

Description: SMA end launch jack