

Item	Name	Material	Finish
1	Body	Brass Per QQ-B-626	Gold PL 3 Min over Nickel PL 70 min thick over Copper Strike
2	Insulator	Teflon Mil-P-19468	White
3	Contact Pin	Beryllium Copper Per QQ-C-530	Gold PL 30 min over Nickel PL 70 min thick over Copper Strike
4	Washer	SS41	Gold PL 3 min over Nickel PL 70 min thick over Copper Strike
5	Nut	Brass Per QQ-B-626	Gold PL 3 min over Nickel PL 70 min thick over Copper Strike

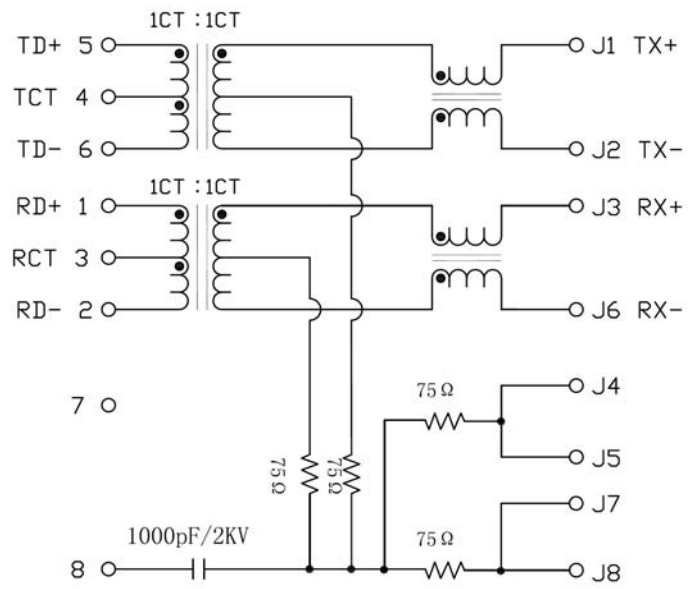
RoHS compliant

Rev.	Description	Date	Approved	Drawing	Name	Date
				Approved	Howard	7/04/07
				Checked	Lizzy	7/04/07
				Drawn	Tina	7/04/07
				0.0 ± 0.35	0.00 ± 0.20	Angles ± 3°
					UNIT: mm	

**Central Components Manufacturing**  
440 Lincoln Blvd., Middlesex, New Jersey 08846  
Phone 732 469-5720 888 288-5152 Fax 732 469-1919

Part No.: **CRF-SMA-7867BS-502BD001B**

Description: SMA End Launch Jack for 1.57 Board Thickness



**ELECTRICAL SPECIFICATIONS**

Turns Ratio ( $\pm 2\%$ ): TX=1CT:1CT RX=1CT:1CT  
 Primary Inductance: 350uH Min @100KHz, 0.1Vrms, 8mA DC bias  
 Insertion Loss: 0.5-100MHz: -1.1dB Max  
 Return Loss (dB Min): 0.5-30MHz: -18; 30.1-60MHz: [-18-20LOG (f/30)]  
 60.1-80MHz: -12  
 Crosstalk (dB Min): 0.5-40MHz: -35  
 40.1-100MHz: [-33-20LOG (f/50)]

Common Mode Rejection: 0.5-100MHz: -30dB Min  
 Hipot Test: 1500Vrms  
 Operating Temp: 0C ~ 70C



Rev.	Description	Date	Approved	Drawing	Name	Date
				Approved	Howard	7/04/07
				Checked	Lizzy	7/04/07
				Drawn	Tina	7/04/07
				0.0 ± 0.35	0.00 ± 0.20	Angles ± 3°
					UNIT: mm	

**Central Components Manufacturing**  
 440 Lincoln Blvd., Middlesex, New Jersey 08846  
 Phone 732 469-5720 888 288-5152 Fax 732 469-1919

Part No.: **CRF-SMA-7867BS-502BD001B**

Description: SMA End Launch Jack for 1.57 Board Thickness