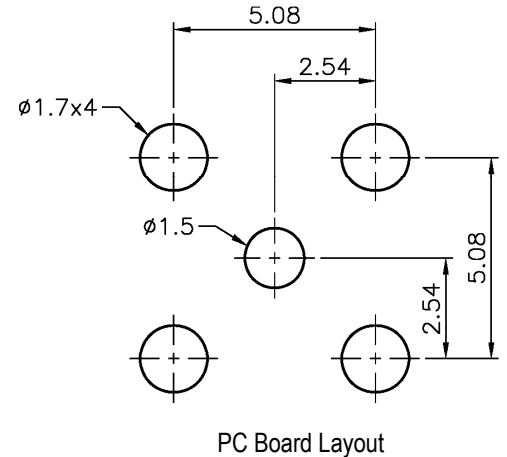
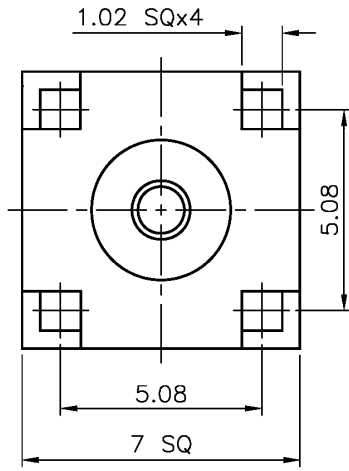
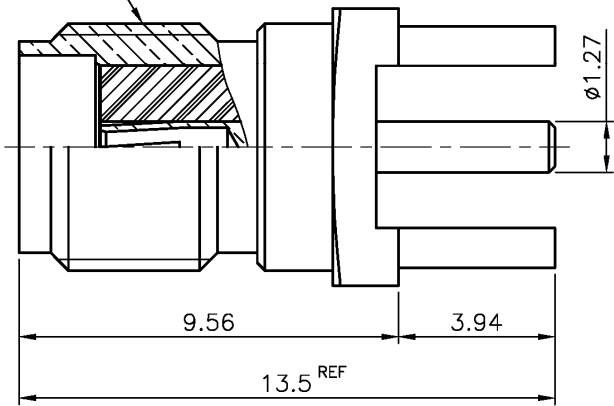


1/4-36UNS-2A



Item	Name	Material	Finish
1	Body	Brass per QQ-B-626	Gold 3μ" over nickel 70μ" over nickel strike
2	Insulator	Teflon, MIL-P-19468	White
3	Contact pin	Beryllium copper per QQ-C-530	Gold 30μ" over nickel 70μ" over nickel strike

RoHS compliant

Rev.	Description	Date	Approved	Drawing	Name	Date
A	PN	3/4/08	Tom	Approved	Howard	08/17/06
				Checked	Lizzy	08/17/06
				Drawn	Tina	08/17/06
				0.0 ± 0.35	0.00 ± 0.20	Angles ± 3'
						UNIT: mm

**Central Components Manufacturing**  
 440 Lincoln Blvd., Middlesex, New Jersey 08846  
 Phone 732 469-5720 888 288-5152 Fax 732 469-1919

Part No.: **CRF-SMA-7865NS-502BD000B-A**

Description: SMA PCB mount jack