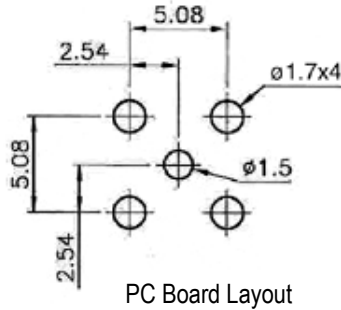
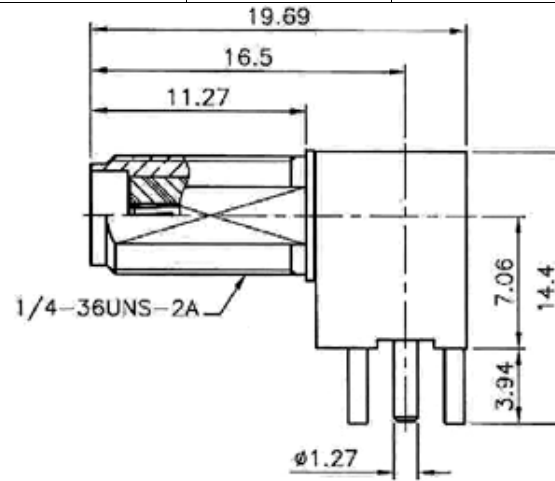
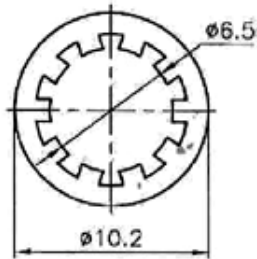
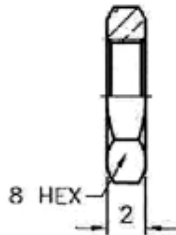
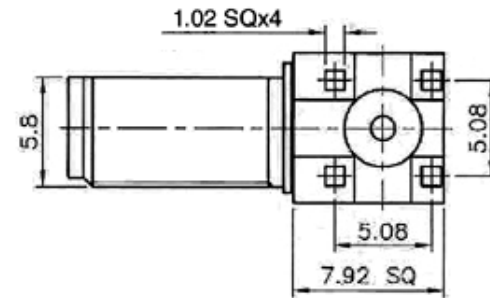


Recommended Mounting Hole



PC Board Layout



Note: Maximum panel thickness 2.7mm

Item	Name	Material	Finish
1	Cube body	Brass per QQ-B-626	Gold flash over nickel 70μ" over copper strike
2	Contact pin	Beryllium copper per QQ-C-530	White
3	Body	Brass per QQ-B-626	Nickel 70μ" over copper strike
4	Insulator	Teflon MIL-P-19468	Nickel 70μ" over copper strike
5	Insulator	Teflon MIL-P-19468	Gold flash over nickel 70μ" over copper strike
6	Washer	SS41	Gold 3μ" over nickel 70μ" over copper strike
7	Nut	Brass per QQ-B-626	White

RoHS compliant

Rev.	Description	Date	Approved	Drawing	Name	Date
				Approved	Howard	03/06/07
				Checked	Lizzy	03/06/07
				Drawn	Tina	03/06/07
				0.0 ± 0.35	0.00 ± 0.20	Angles ± 3'
				UNIT: mm		

Central Components Manufacturing
 440 Lincoln Blvd., Middlesex, New Jersey 08846
 Phone 732 469-5720 888 288-5152 Fax 732 469-1919

Part No.: **CRF-SMA-7865-BR502BD001B**

Description: SMA right angle PCB mount jack