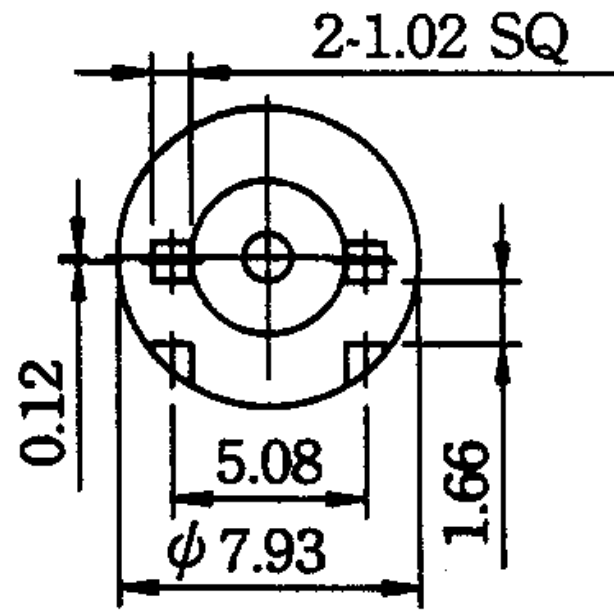
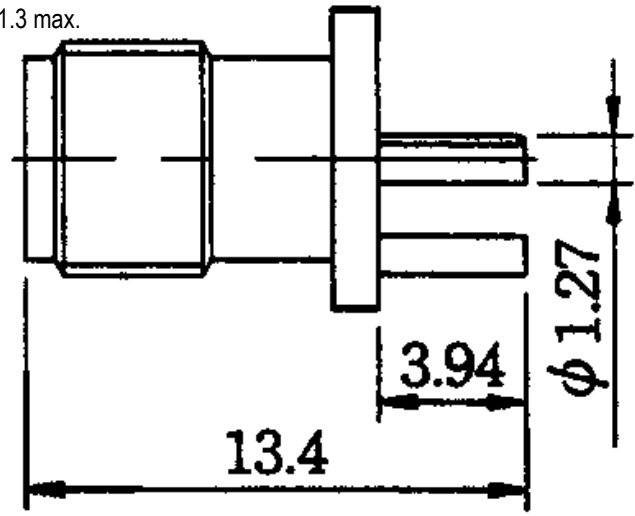


**SPECIFICATIONS**

Voltage rating: 335 VRMS max.  
 Center contact material: Brass  
 Center contact plating: Gold  
 Center contact resistance: 6 milliohms max.  
 Outer contact resistance: 2 milliohms max.  
 Body material: Brass  
 Body plating: Nickel  
 Insulator material: Teflon  
 Insulator resistance: 5,000 megohms min.  
 Withstanding: 1,000 VRMS for 1 min.  
 Frequency range: 0-18 GHz  
 VSWR: 1.3 max.



RoHS compliant

Rev.	Description	Date	Approved	Drawing	Name	Date
				Approved	Howard	08/10/99
				Checked	Lizzy	08/10/99
				Drawn	Tina	08/10/99
				0.0 ± 0.35	0.00 ± 0.20	Angles ± 3'
						UNIT: mm

**Central Components Manufacturing**  
 440 Lincoln Blvd., Middlesex, New Jersey 08846  
 Phone 732 469-5720 888 288-5152 Fax 732 469-1919

Part No.: **CRF-SMA-7845A-A-RP**

Description: End launch jack, PCB mount, reverse polarity