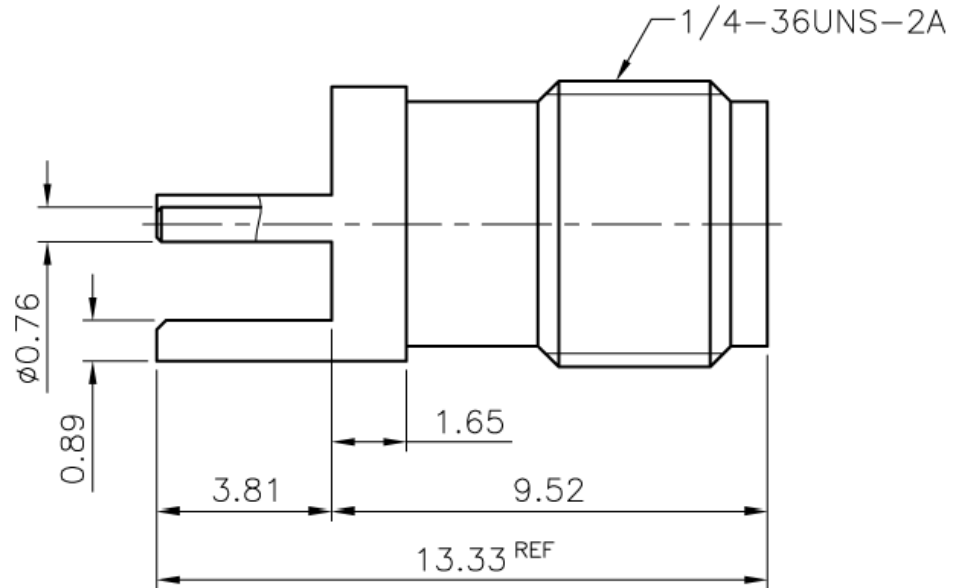
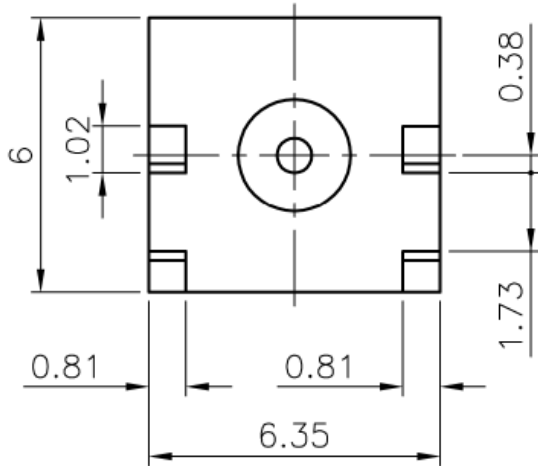


SPECIFICATIONS

Voltage rating: 500 VRMS max.
 Center contact material: Brass
 Center contact plating: Gold or silver
 Center contact resistance: 3 milliohms max.
 Outer contact resistance: 2 milliohms max.
 Body material: Brass
 Body plating: Nickel
 Insulator material: Teflon
 Insulator resistance: 5,000 megohms min.
 Frequency range: 0-4 GHz
 Withstanding: 1,500 VRMS for 1 min.
 VSWR: 1.3 max.

| Name | Material | Finish |
|-------------|------------------|-----------------------------------|
| Body | Brass | Gold 3μ" over nickel over copper |
| Insulator | Teflon | White |
| Contact pin | Beryllium copper | Gold 30μ" over nickel over copper |



RoHS compliant

| Rev. | Description | Date | Approved | Drawing | Name | Date |
|------|-------------|------|----------|------------|-------------|-------------|
| | | | | Approved | Howard | 06/20/05 |
| | | | | Checked | Lizzy | 06/20/05 |
| | | | | Drawn | Tina | 06/20/05 |
| | | | | 0.0 ± 0.35 | 0.00 ± 0.20 | Angles ± 3' |
| | | | | UNIT: mm | | |

Central Components Manufacturing
 440 Lincoln Blvd., Middlesex, New Jersey 08846
 Phone 732 469-5720 888 288-5152 Fax 732 469-1919

Part No.: **CRF-SMA-7845-85BGTG012**

Description: SMA end launch jack