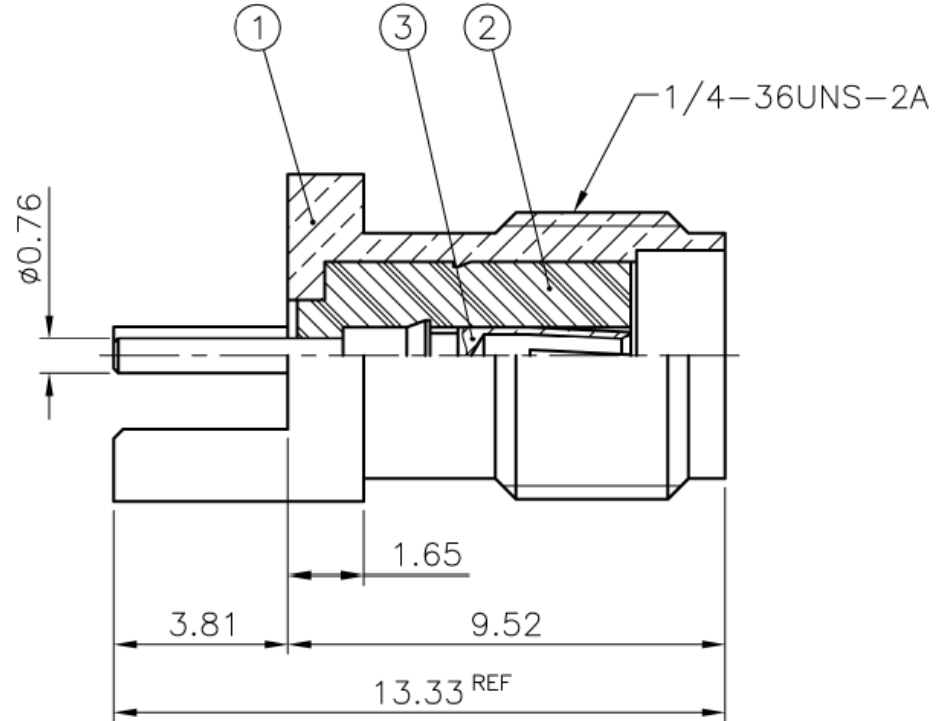
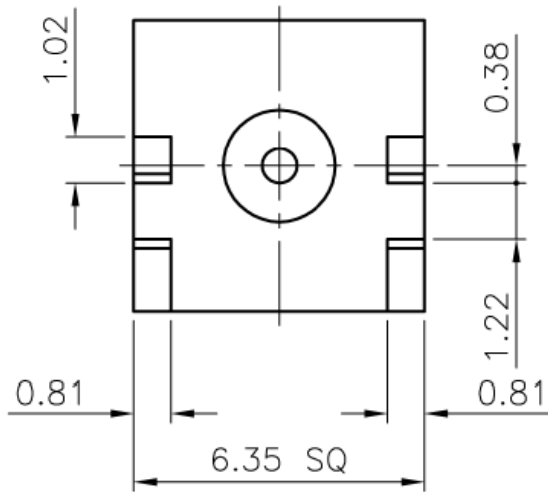


**SPECIFICATIONS**

Voltage rating: 500 VRMS max.  
 Center contact material: Brass  
 Center contact plating: Gold or silver  
 Center contact resistance: 3 milliohms max.  
 Outer contact resistance: 2 milliohms max.  
 Insulator material: Teflon  
 Insulator resistance: 5,000 megohms min.  
 Body material: Brass  
 Body plating: Nickel  
 Withstanding: 1,500 VRMS for 1 min.  
 Frequency range: 0-4 GHz  
 VSWR: 1.3 max.

Item	Name	Material	Finish
1	Body	Brass	Gold 3μ" over nickel over copper
2	Insulator	Teflon	White
3	Contact pin	Beryllium copper	Gold 30μ" over nickel over copper



RoHS compliant

Rev.	Description	Date	Approved	Drawing	Name	Date
				Approved	Howard	06/02/04
				Checked	Lizzy	06/02/04
				Drawn	Tina	06/02/04
				0.0 ± 0.35	0.00 ± 0.20	Angles ± 3'
				UNIT: mm		

**Central Components Manufacturing**  
 440 Lincoln Blvd., Middlesex, New Jersey 08846  
 Phone 732 469-5720 888 288-5152 Fax 732 469-1919

Part No.: **CRF-SMA-7845-85BGTG001**

Description: SMA end launch jack