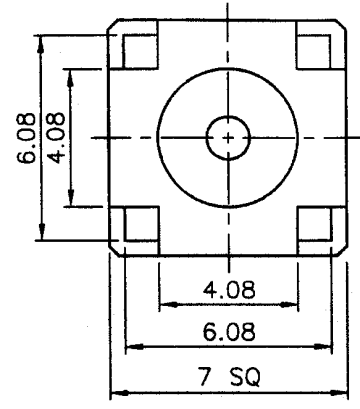
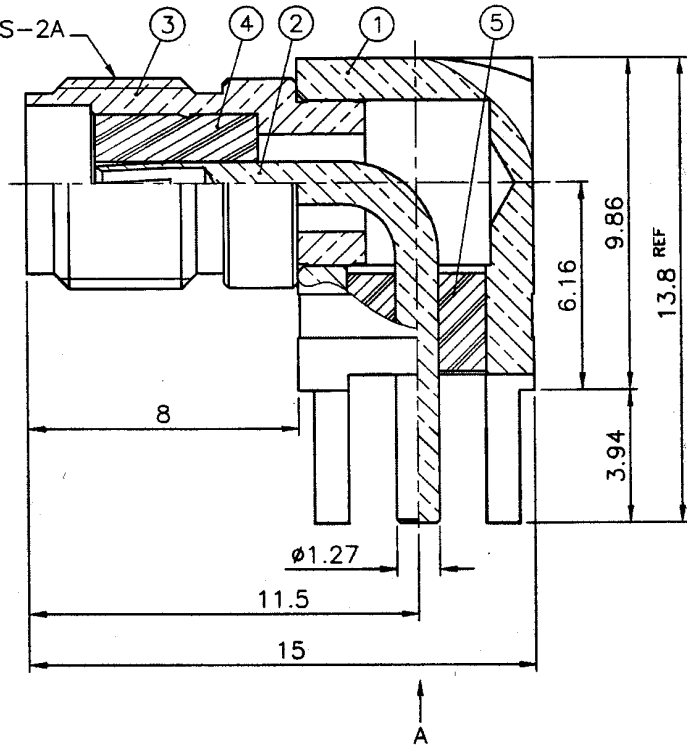
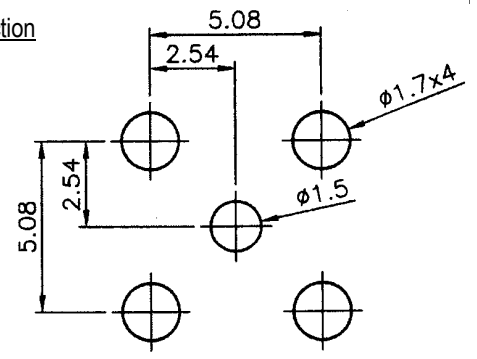


1/4-36UNS-2A



A Section



PC Board Layout

Item	Name	Material	Finish
1	Base	Brass	Gold over nickel over copper
2	Contact pin	Phosphor bronze	Gold 30μ" over nickel over copper
3	Body	Brass	Gold over nickel over copper
4	Insulator	Teflon	White
5	Insulator	Teflon	White

RoHS compliant

Rev.	Description	Date	Approved	Drawing	Name	Date
				Approved	Howard	01/16/04
				Checked	Lizzy	01/16/04
				Drawn	Tina	01/16/04
				0.0 ± 0.35	0.00 ± 0.20	Angles ± 3'
						UNIT: mm

**Central Components Manufacturing**  
 440 Lincoln Blvd., Middlesex, New Jersey 08846  
 Phone 732 469-5720 888 288-5152 Fax 732 469-1919

Part No.: **CRF-SMA-7844-BGTG**

Description: SMA jack, right angle, PCB mount