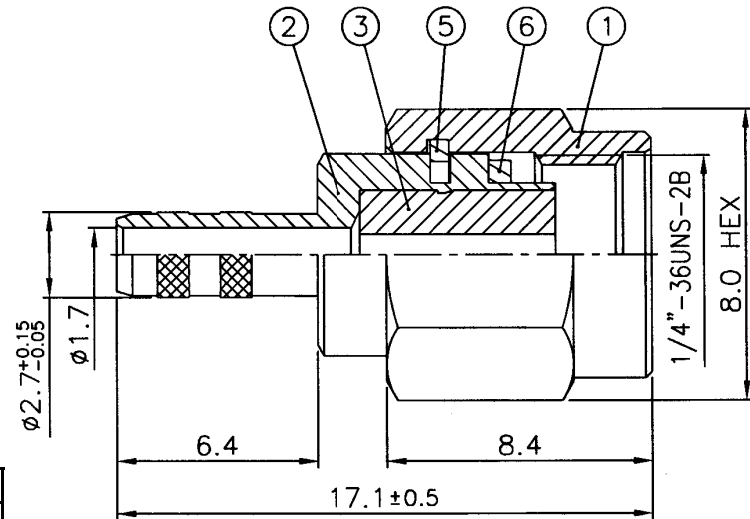
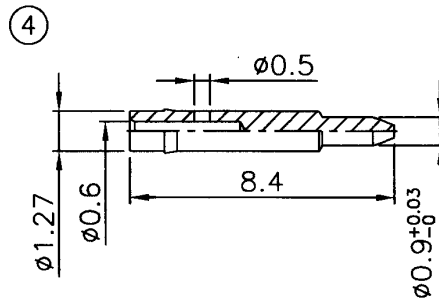
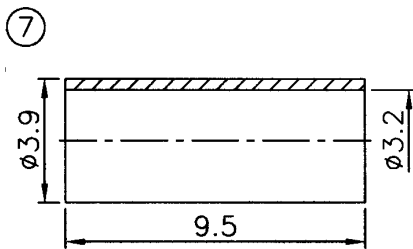


RECOMMENDED
CABLE STRIPPING DIM'S



Item	Description	Material	Finish
1	Shell	Brass per QQ-B-626	Gold 3 μ " over nickel 100 μ " over copper
2	Body	Brass per QQ-B-626	Gold 3 μ " over nickel 100 μ " over copper
3	Insulator	Teflon, MIL-P-19468	Natural
4	Contact	Brass per QQ-B-626	Gold 30 μ " over nickel 100 μ " over copper
5	C Ring	Beryllium copper per QQ-C-530	None
6	Gasket	Rubber	Red
7	Ring	Brass per QQ-B-626	Gold 3 μ " over nickel 100 μ " over copper

RoHS compliant

Rev.	Description	Date	Approved	Drawing	Name	Date
				Approved	Howard	12/10/01
				Checked	Lizzy	12/10/01
				Drawn	Tina	12/10/01
				0.0 ± 0.35	0.00 ± 0.20	Angles ± 3'
						UNIT: mm

Central Components Manufacturing
440 Lincoln Blvd., Middlesex, New Jersey 08846
Phone 732 469-5720 888 288-5152 Fax 732 469-1919

Part No.: **CRF-SMA-7801-BGTG-A**

Description: SMA male crimp connector for RG318/U