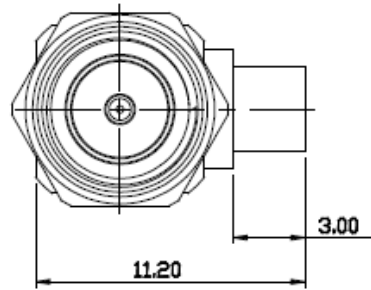


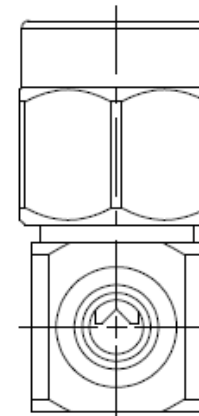
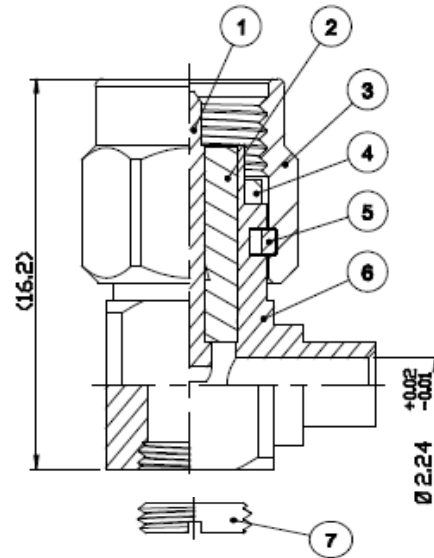
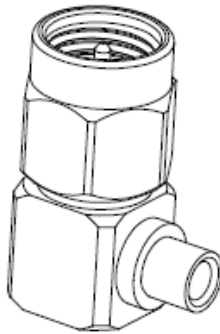
Recommended Cable Stripping



SPECIFICATIONS

Operating Temp.: -65°C to +165°C
 Vibration: MIL-STD-202, Method 213
 Impedance: 50
 Working Voltage: 335 V max
 Withstanding: 1000 V RMS
 Contact Res. Center: 3 m
 Contact Res. Outer: 2 m
 Insulation Res.: 5000 M
 VSWR: 1.15
 Durability: 500 cycles min.

Item	Name	Material	Finish
1	Contact	Brass	Gold (3μ")
2	Insulator	Teflon	
3	Shell	Stainless Steel	Passivate
4	Gasket	Silicone	
5	Retaining Ring	Stainless Steel	
6	Body	Brass	Gold
7	Cap	Brass	Gold



RoHS compliant

Rev.	Description	Date	Approved	Drawing	Name	Date
				Approved	Howard	08/13/13
				Checked	Lizzy	08/13/13
				Drawn	Tina	08/13/13
				0.0 ± 0.35	0.00 ± 0.20	Angles ± 3'
				UNIT: mm		

Central Components Manufacturing
 440 Lincoln Blvd., Middlesex, New Jersey 08846
 Phone 732 469-5720 888 288-5152 Fax 732 469-1919

Part No.: **CRF-SMA-728U-TBGG**

Description: SMA right angle plug for RG405