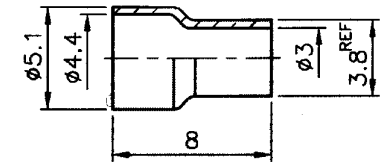
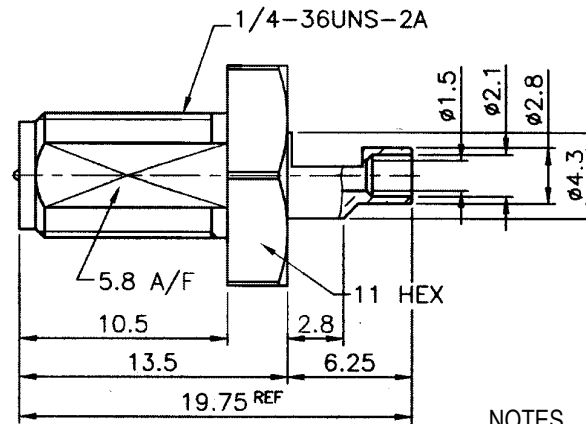
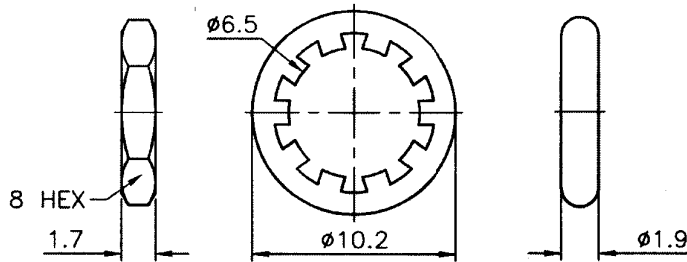
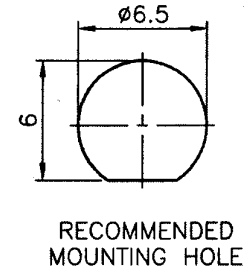
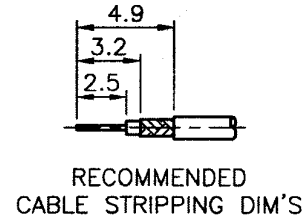
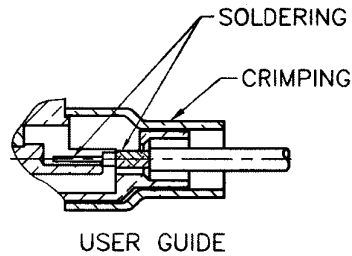


Name	Material	Finish
Body	Brass	Gold 3 $\mu$ " over nickel 70 $\mu$ " over copper
Insulator	Teflon	White
Contact pin	Brass	Gold 30 $\mu$ " over nickel 70 $\mu$ " over copper
Gasket	Rubber	Black
Washer	SS41	Gold 3 $\mu$ " over nickel 70 $\mu$ " over copper
Nut	Brass	Gold 3 $\mu$ " over nickel 70 $\mu$ " over copper
Ferrule	Brass	Gold 3 $\mu$ " over nickel 70 $\mu$ " over copper



NOTES  
 Ferrule hex crimp size: 0.128"  
 Panel thickness: 2.4mm max.

RoHS compliant

Rev.	Description	Date	Approved	Drawing	Name	Date
				Approved	Howard	08/10/99
				Checked	Lizzy	08/10/99
				Drawn	Tina	08/10/99
				0.0 $\pm$ 0.35	0.00 $\pm$ 0.20	Angles $\pm$ 3'
					UNIT: mm	

**Central Components Manufacturing**  
 440 Lincoln Blvd., Middlesex, New Jersey 08846  
 Phone 732 469-5720 888 288-5152 Fax 732 469-1919

Part No.: **CRF-SMA-0701-BGTG-A**

Description: SMA bulkhead crimp jack for RG-178B/U AND RG-196A/U