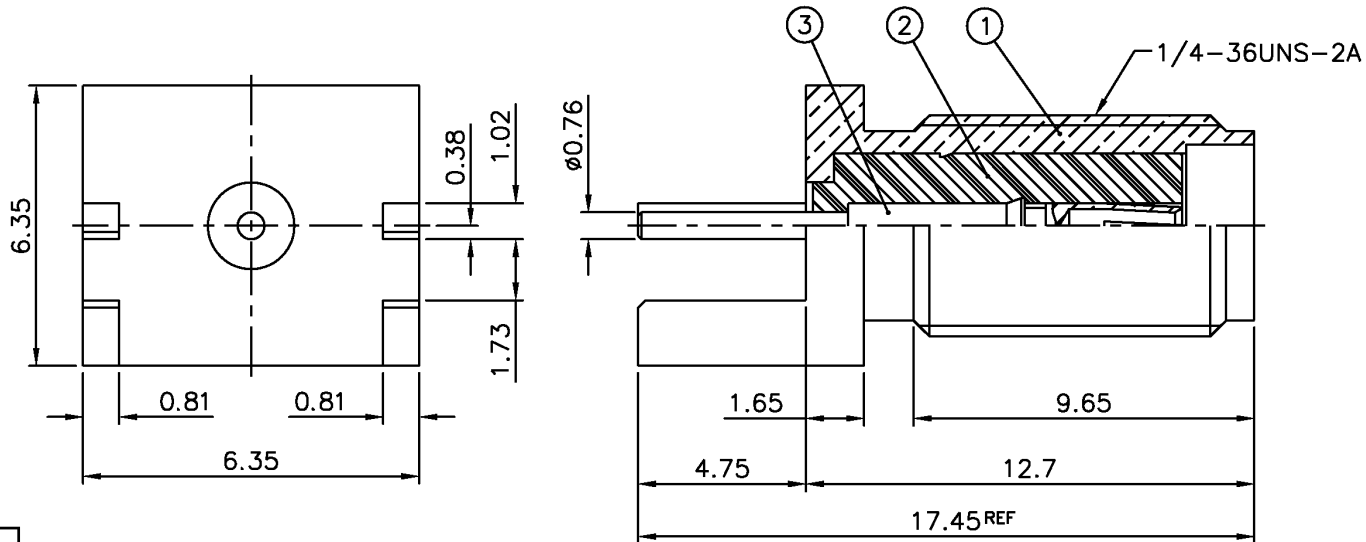


SPECIFICATIONS

Voltage rating: 500 VRMS max.
 Center contact material: Brass
 Center contact plating: Gold or silver
 Center contact resistance: 3 milliohms max.
 Outer contact resistance: 2 milliohms max.
 Insulator resistance: 5,000 megohms min.
 Body material: Brass
 Body plating: Nickel
 Insulator material: Teflon
 Withstanding: 1,500 VRMS for 1 min.
 Frequency range: 0-4 GHz
 VSWR: 1.3 max.

Item	Name	Material	Finish
1	Body	Brass	Gold over nickel
2	Insulator	Teflon	White
3	Contact pin	Beryllium copper	Gold 30μ" over nickel
4	Washer	SS41	Gold over nickel
5	Nut	Brass	Gold over nickel



RoHS compliant

Rev.	Description	Date	Approved	Drawing	Name	Date
				Approved	Howard	05/26/04
				Checked	Lizzy	05/26/04
				Drawn	Tina	05/26/04
				0.0 ± 0.35	0.00 ± 0.20	Angles ± 3'
				UNIT: mm		

Central Components Manufacturing
 440 Lincoln Blvd., Middlesex, New Jersey 08846
 Phone 732 469-5720 888 288-5152 Fax 732 469-1919

Part No.: **CRF-SMA-0701A-BGTG-A**

Description: SMA end launch jack for 1.57 PCB