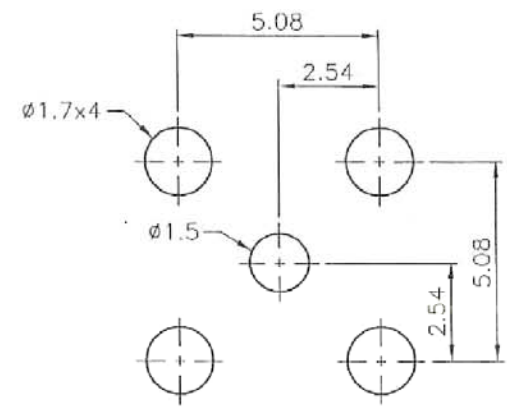
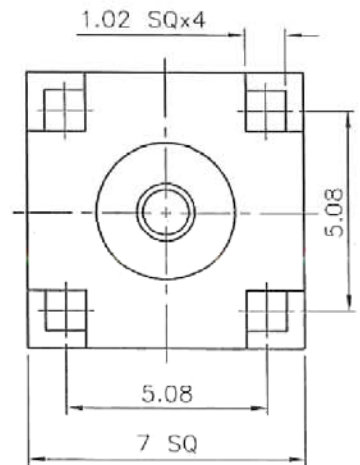
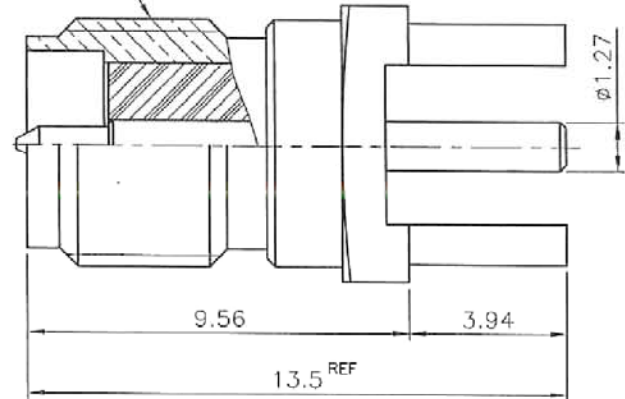


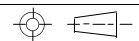
1/4-36UNS-2A




P.C.B. LAYOUT

Name	Material	Finish
Body	Brass per QQ-B-626	Gold 3μ" over nickel 70μ" over nickel strike
Insulator	Teflon, MIL-P-19468	White
Contact pin	Brass per QQ-B-626	Gold 30μ" over nickel 70μ" over nickel strike

RoHS compliant

Rev.	Description	Date	Approved	Drawing	Name	Date
				Approved	Howard	10/31/06
				Checked	Lizzy	10/31/06
				Drawn	Tina	10/31/06
				0.0 ± 0.35	0.00 ± 0.20	Angles ± 3'
						UNIT: mm



**Central Components Manufacturing**  
440 Lincoln Blvd., Middlesex, New Jersey 08846  
Phone 732 469-5720 888 288-5152 Fax 732 469-1919

**Part No.: CRF-RP-SMA-2865NS-502BD000-B**

Description: SMA reversed position PCB mount jack