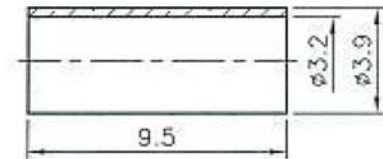
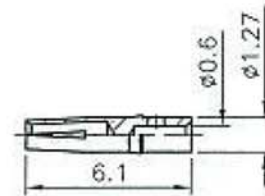
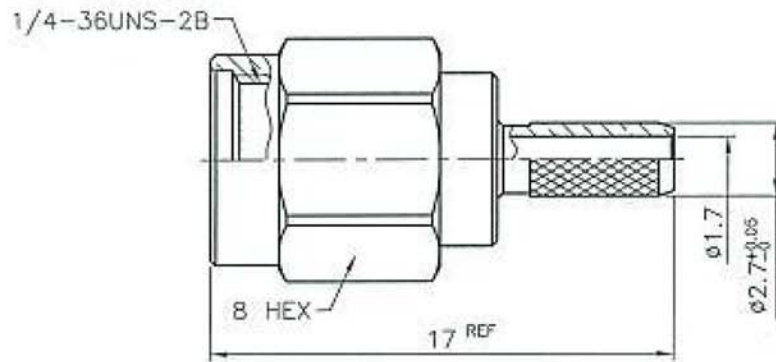


RECOMMENDED
CABLE STRIPPING DIM'S



Crimped Ferrule: Hex Crimp Size .128" (3.25mm)
Solder Contact Pin

Item	Name	Material	Finish
1	Body	Brass	Gold over Nickel over Copper
2	Insulator	Teflon	White
3	C Ring	SUS 304	Passivated
4	Gasket	Silicone	Red
5	Shell	Brass	Gold over Nickel over Copper
6	Contact Pin	Beryllium Copper	Gold over Nickel over Copper
7	Ferrule	Copper	Gold over Nickel over Copper

RoHS compliant

Rev.	Description	Date	Approved	Drawing	Name	Date
				Approved	Howard	03/22/11
				Checked	Lizzy	03/22/11
				Drawn	Tina	03/22/11
				0.0 ± 0.35	0.00 ± 0.20	Angles ± 3'
					UNIT: mm	

Central Components Manufacturing
440 Lincoln Blvd., Middlesex, New Jersey 08846
Phone 732 469-5720 888 288-5152 Fax 732 469-1919

Part No.: **CRF-RP-SMA-2811NS-509BD000B**

Description: SMA R/P Crimp Plug