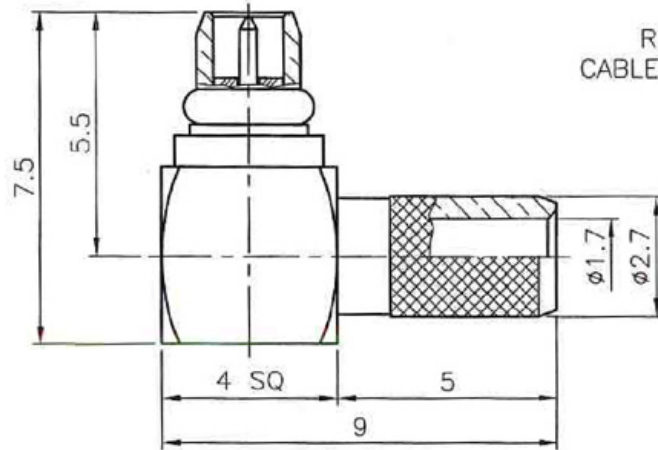
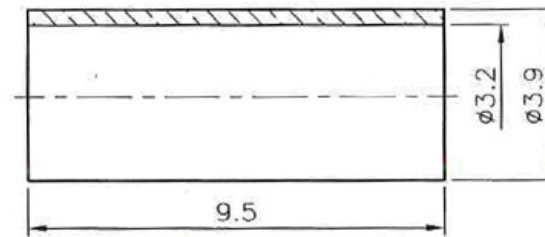


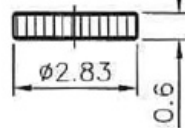
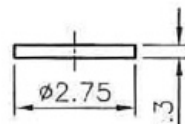
RECOMMENDED
CABLE STRIPPING DIM'S



SOLDER CONTACT PIN



CRIMPED FERRULE
HEX CRIMP SIZE .128" (3.25mm)



Item	Name	Material	Finish
1	Ferrule	Brass	Nickel
2	Cover	Brass	Nickel
3	Insulator	Teflon	White
4	C Ring	Beryllium	Nickel
5	Contact Pin	Brass	Gold
6	Insulator	Teflon	White
7	Body	Brass	Nickel

RoHS compliant

Rev.	Description	Date	Approved	Drawing	Name	Date
				Approved	Howard	08/02/06
				Checked	Lizzy	08/02/06
				Drawn	Tina	08/02/06
				0.0 ± 0.35	0.00 ± 0.20	Angles ± 3'
				UNIT: mm		

Central Components Manufacturing
440 Lincoln Blvd., Middlesex, New Jersey 08846
Phone 732 469-5720 888 288-5152 Fax 732 469-1919

Part No.: **CRF-MMCX-9711NR-509BF000-B**

Description: MMCX R/A Crimp Plug (for RG-174/U,188A/U,316/U)