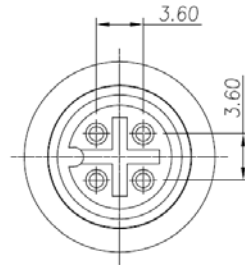
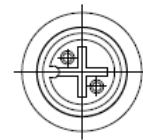
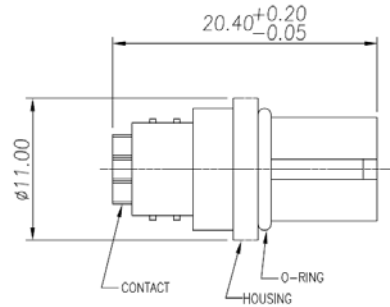
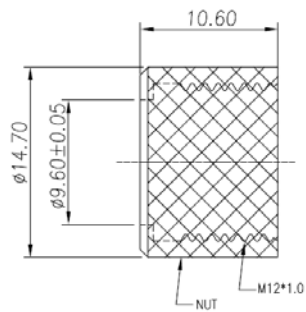


Assembly

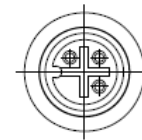


**SPECIFICATIONS**

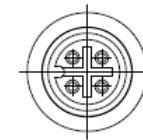
Current Rating: 6A  
 Voltage Rating: 125V  
 Ingress Protection: IP67  
 Housing: Plastic, UL94V-0, Black  
 Contact: Phosphor Bronze  
 O-Ring: EPDM  
 Nut: Brass  
 Contact Finish: Gold over Nickel



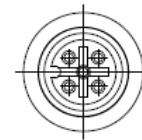
2 POS.



3 POS.



4 POS.



5 POS.

Series	Type	Style	Positions	Plating
CRF	M12	KT4277CF	0X	GD10
RF Connector	M12 Circular	KT4277CF style	02-05	10µ" Gold

RoHS compliant

Rev.	Description	Date	Approved	Drawing	Name	Date
				Approved	Howard	09/27/12
				Checked	Lizzy	09/27/12
				Drawn	Tina	09/27/12
				0.0 ± 0.35	0.00 ± 0.20	Angles ± 3'
				UNIT: mm		

**Central Components Manufacturing**  
 440 Lincoln Blvd., Middlesex, New Jersey 08846  
 Phone 732 469-5720 888 288-5152 Fax 732 469-1919

Part No.: **CRF-M12-KT4277CF-0X-GD10**

Description: M12 Cable Side FE Female 2-5 Pos. Waterproof