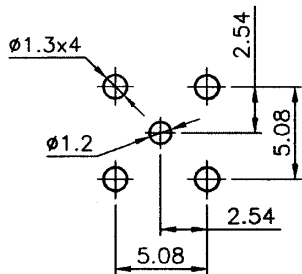
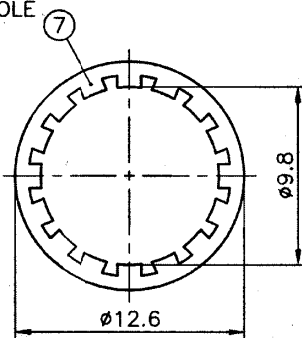
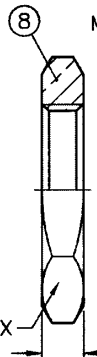
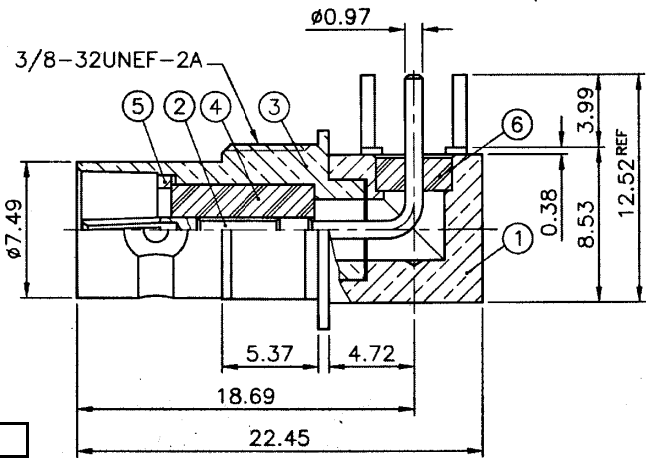
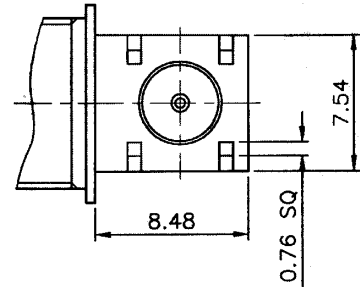
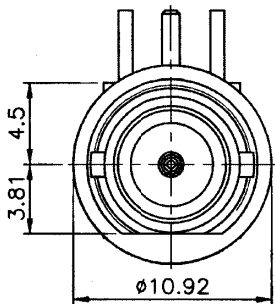


RECOMMENDED MOUNTING HOLE



P.C.B. LAYOUT



Item	Name	Material	Finish
1	Cube body	Brass	Nickel 70 $\mu$ " over copper
2	Contact pin	Phosphor bronze	Gold 3 $\mu$ " over nickel 70 $\mu$ " over copper
3	Body	Brass	Nickel 70 $\mu$ " over copper
4	Insulator	Teflon	White
5	Locking ring	Brass	Nickel 70 $\mu$ " over copper
6	Insulator	Teflon	White
7	Washer	SS41	Nickel 70 $\mu$ " over copper
8	Nut	Brass	Nickel 70 $\mu$ " over copper

RoHS compliant

Rev.	Description	Date	Approved	Drawing	Name	Date
				Approved	Howard	11/25/04
				Checked	Lizzy	11/25/04
				Drawn	Tina	11/25/04
				0.0 $\pm$ 0.35	0.00 $\pm$ 0.20	Angles $\pm$ 3'
					UNIT: mm	

**Central Components Manufacturing**  
 440 Lincoln Blvd., Middlesex, New Jersey 08846  
 Phone 732 469-5720 888 288-5152 Fax 732 469-1919

Part No.: **CRF-M-BNC-1007-BNTG-A**

Description: Mini right angle BNC jack, PCB mount