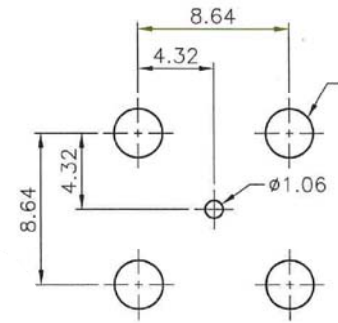
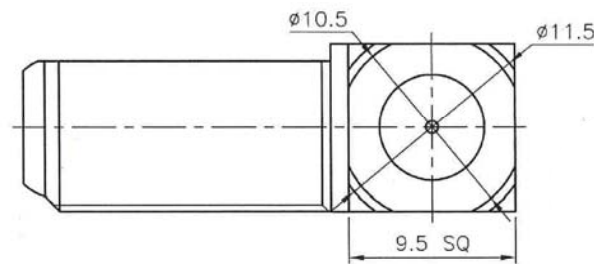
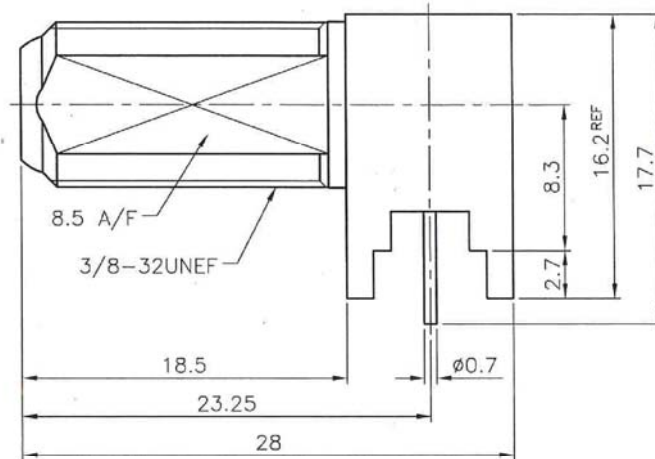


RECOMMENDED MOUNTING HOLE



P.C.B. LAYOUT

| Item | Name        | Material  | Finish  |
|------|-------------|-----------|---------|
| 1    | Cuby Body   | Brass     | Nickel  |
| 2    | Body        | Brass     | Nickel  |
| 3    | Insulator   | P.P.      | Natural |
| 4    | Insulator   | Delrin    | Natural |
| 5    | Contact Pin | Brass     | Tin     |
| 6    | Insulator   | PBT+30%GF | White   |

RoHS compliant

| Rev. | Description | Date | Approved | Drawing    | Name        | Date        |
|------|-------------|------|----------|------------|-------------|-------------|
|      |             |      |          | Approved   | Howard      | 06/12/09    |
|      |             |      |          | Checked    | Lizzy       | 06/12/09    |
|      |             |      |          | Drawn      | Tina        | 06/12/09    |
|      |             |      |          | 0.0 ± 0.35 | 0.00 ± 0.20 | Angles ± 3' |
|      |             |      |          |            |             | UNIT: mm    |

**Central Components Manufacturing**  
 440 Lincoln Blvd., Middlesex, New Jersey 08846  
 Phone 732 469-5720 888 288-5152 Fax 732 469-1919

Part No.: **CRF-F-7265NR-702CL000B**

Description: r/a PCB Mount Jack