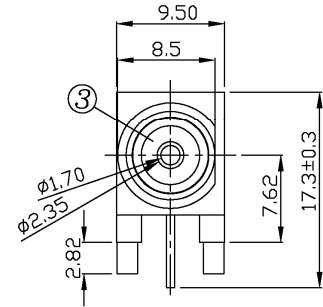
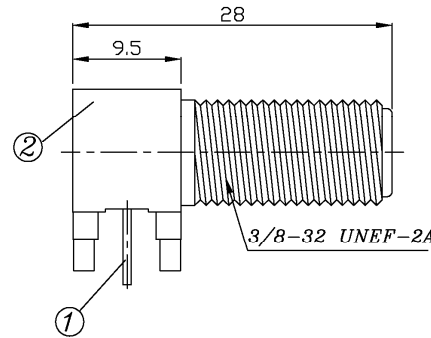
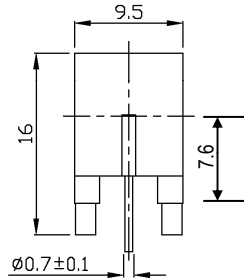
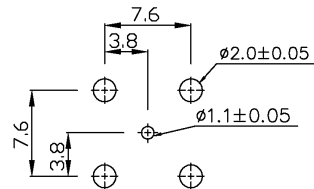


SPECIFICATIONS

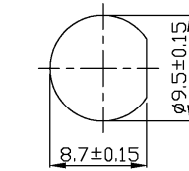
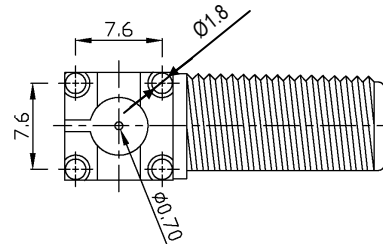
Impedance: 75 ohms
 Frequency range: 0-2 GHz
 Voltage rating: 250 VRMS
 VSRW 1.35 max.
 Center contact resistance: 5 milliohms max.
 Outer contact resistance: 1 milliohm max.



Item	Description	Material	Finish
1	Contact	Phosphor Bronze	Tin
2	Body	Zinc Alloy	Nickel
3	Insulator	TPX	



RECOMMENDED PC BOARD LAYOUT WITHOUT MOUNTING POSTS



RECOMMENDED MOUNTING HOLE

RoHS compliant

Rev.	Description	Date	Approved	Drawing	Name	Date
A	DWG	04/29/10	Greg	Approved	Howard	10/10/92
				Checked	Lizzy	10/10/92
				Drawn	Tina	10/10/92
				0.0 ± 0.35	0.00 ± 0.20	Angles ± 3'
						UNIT: mm

Central Components Manufacturing
 440 Lincoln Blvd., Middlesex, New Jersey 08846
 Phone 732 469-5720 888 288-5152 Fax 732 469-1919

Part No.: **CRF-F-7230-ZNPT003**

Description: F connector, right angle board mount