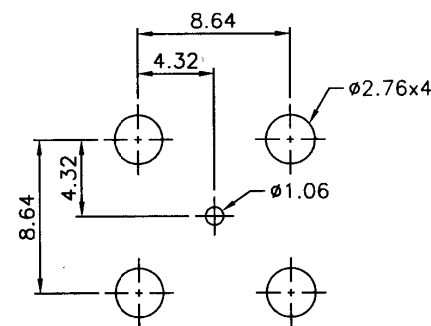
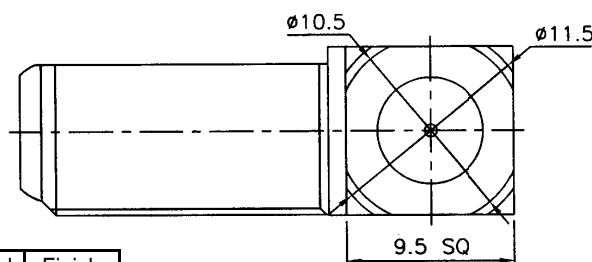
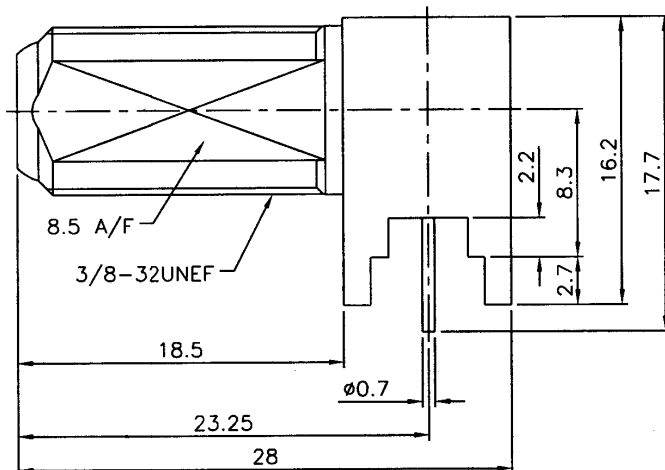


RECOMMENDED MOUNTING HOLE

**SPECIFICATIONS**

Impedance: 75 ohms  
 Frequency range: 0-2 GHz  
 Voltage rating: 250 VRMS max.  
 Withstanding: 500 VRMS min.  
 VSWR: 1.35 max.  
 Center contact resistance: 5 milliohms max.  
 Outer contact resistance: 1 milliohm max.  
 Insulator resistance: 1,000 megohms min.



P.C.B. LAYOUT

Item	Description	Material	Finish
1	Cube body	Brass	Nickel
2	Body	Brass	Nickel
3	Insulator	PP	White
4	Pin	Brass	Tin

RoHS compliant

Rev.	Description	Date	Approved	Drawing	Name	Date
				Approved	Howard	05/31/03
				Checked	Lizzy	05/31/03
				Drawn	Tina	05/31/03
				0.0 ± 0.35	0.00 ± 0.20	Angles ± 3'
				UNIT: mm		

**Central Components Manufacturing**  
 440 Lincoln Blvd., Middlesex, New Jersey 08846  
 Phone 732 469-5720 888 288-5152 Fax 732 469-1919

Part No.: **CRF-F-7230-BNPT-B**

Description: F connector, right angle, PCB mount, 75 ohm