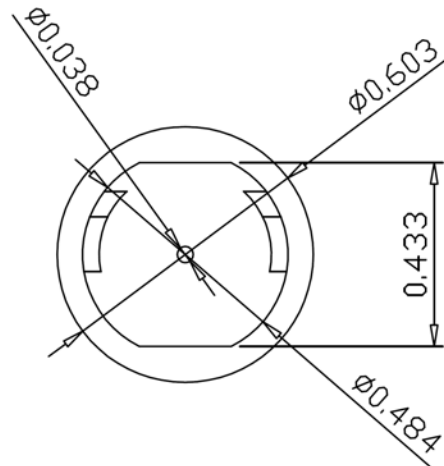
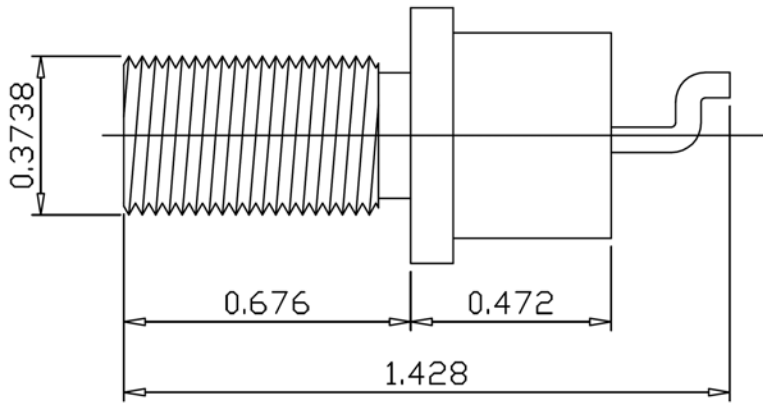
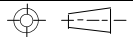


**SPECIFICATIONS**

Frequency Range: 0-1 GHz  
 Impedance: 76 Ohm  
 Return Loss: 15 dB  
 Insertion Loss: 0.25dB  
 Body Material: Tin Plated Zinc  
 Contact Material: Tin Plated Beryllium Copper  
 Contact Resistance: 25 milliohms max  
 Withstanding: 1500Vrms Max.  
 Temperature Range: -55C to 250C



RoHS compliant

Rev.	Description	Date	Approved	Drawing	Name	Date
				Approved	Howard	09/14/10
				Checked	Lizzy	09/14/10
				Drawn	Tina	09/14/10
				0.0 ± 0.35	0.00 ± 0.20	Angles ± 3'
				 UNIT: mm		

**Central Components Manufacturing**  
 440 Lincoln Blvd., Middlesex, New Jersey 08846  
 Phone 732 469-5720 888 288-5152 Fax 732 469-1919

Part No.: **CRF-F-5831-ZTPT**

Description: F Female PCB Mount, Type 5831