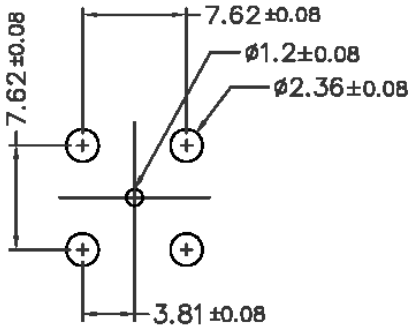


Proprietary female Contact accepts a Pin range $\varnothing 0.56\text{-}\varnothing 1.07$

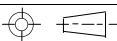


RECOMMENDED PCB LAYOUT

SPECIFICATIONS

Body:	Zinc, tin plating
Contact:	Phosphor bronze, tin plating
Hex nut:	Brass, nickel plating
Lock washer:	Steel, nickel plating
Insulator material:	TPX

RoHS compliant

Rev.	Description	Date	Approved	Drawing	Name	Date
				Approved	Howard	08/10/99
				Checked	Lizzy	08/10/99
				Drawn	Tina	08/10/99
				0.0 ± 0.35	0.00 ± 0.20	Angles ± 3'
						UNIT: mm

Central Components Manufacturing
 440 Lincoln Blvd., Middlesex, New Jersey 08846
 Phone 732 469-5720 888 288-5152 Fax 732 469-1919

Part No.: **CRF-F-491-PTZT-A**

Description: PCB receptacle, female, right angle