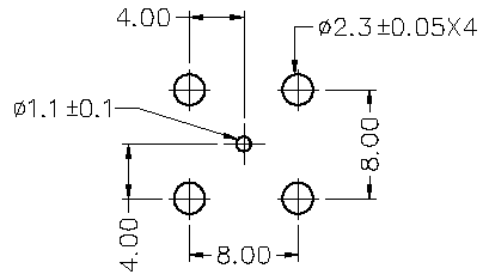
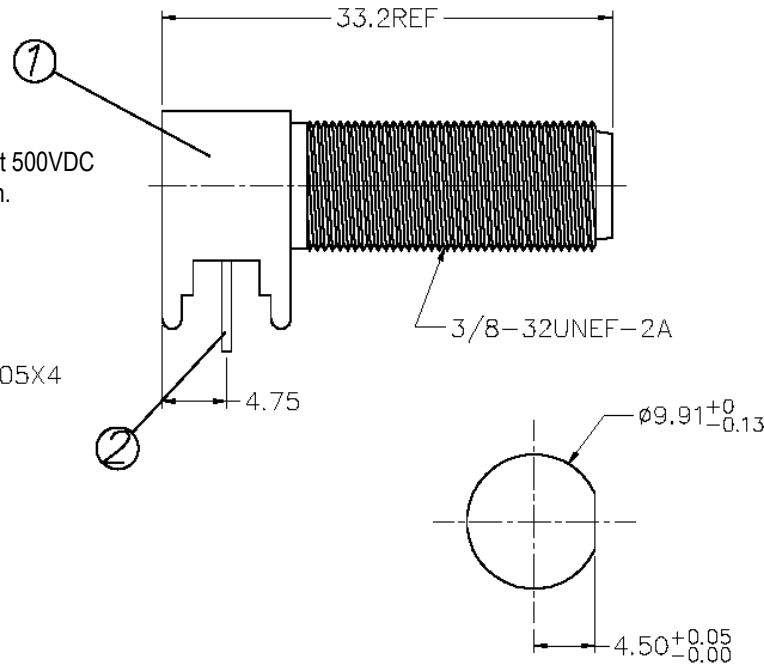


SPECIFICATIONS

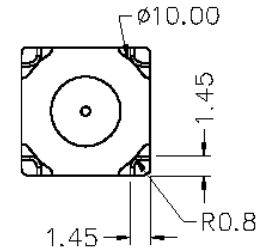
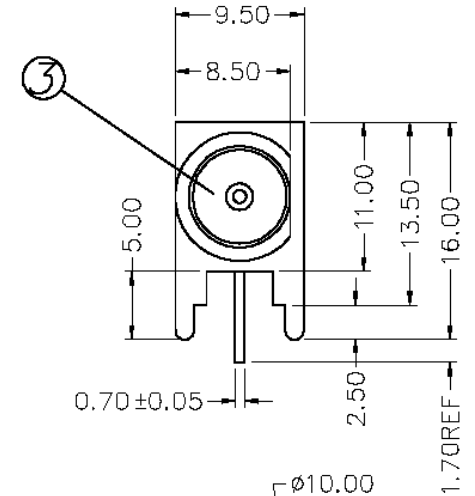
Voltage rating: 500VAC
 Contact material: Phosphor bronze or bronze
 Contact plating: Tin over nickel
 Contact resistance: 5 milliohms max.
 Body material: Zinc alloy
 Body plating: Nickel
 Insulator material: PE
 Insulation resistance: 5,000 megohms min. at 500VDC
 Withstanding: 500VAC RMS for 1 min.
 Operating temperature: -40°C to +60°C
 Nominal impedance: 75 ohms



PC Board Hole Layout



Recommended Mounting Hole



Item	Name	Material	Finish
1	Body	Zinc alloy	Nickel
2	Contact	Phosphor bronze or bronze	Tin over nickel
3	Insulator	PE	

RoHS compliant

Rev.	Description	Date	Approved	Drawing	Name	Date
				Approved	Howard	08/10/99
				Checked	Lizzy	08/10/99
				Drawn	Tina	08/10/99
				0.0 ± 0.35	0.00 ± 0.20	Angles ± 3°
				UNIT: mm		

Central Components Manufacturing
 440 Lincoln Blvd., Middlesex, New Jersey 08846
 Phone 732 469-5720 888 288-5152 Fax 732 469-1919

Part No.: **CRF-F-3320-ZNBT-B**

Description: F connector, right-angle, PCB mount