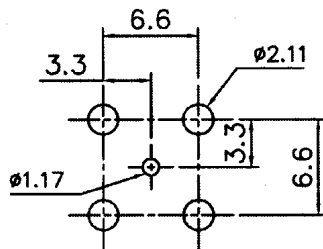
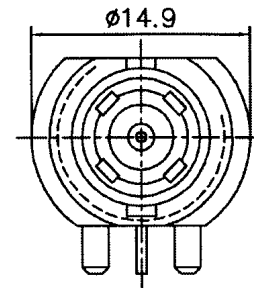
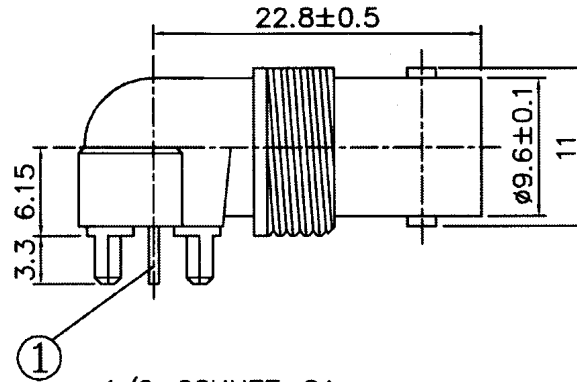
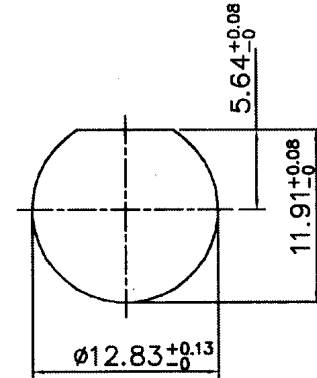
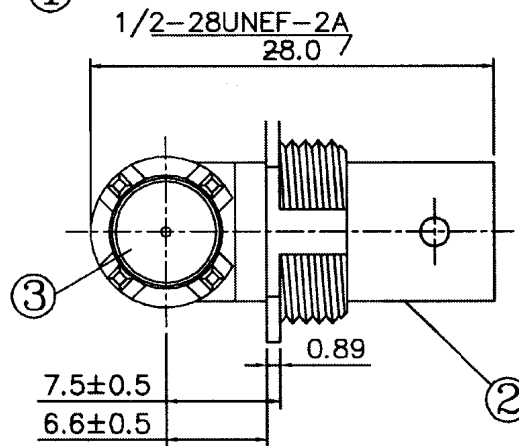


Item	Name	Material	Finish
1	Contact	Bronze	Gold
2	Body	Zinc alloy	Nickel
3	Insulator	Teflon	



Recommended PC Board Layout
(Without Mounting Posts)



RoHS compliant

Rev.	Description	Date	Approved	Drawing	Name	Date
				Approved	Howard	08/10/99
				Checked	Lizzy	08/10/99
				Drawn	Tina	08/10/99
				0.0 ± 0.35	0.00 ± 0.20	Angles ± 3'
						UNIT: mm

Central Components Manufacturing
 440 Lincoln Blvd., Middlesex, New Jersey 08846
 Phone 732 469-5720 888 288-5152 Fax 732 469-1919

Part No.: **CRF-CCM-TBR-L51-B**

Description: BNC connector, 75 ohm, right angle, PCB mount