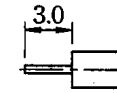
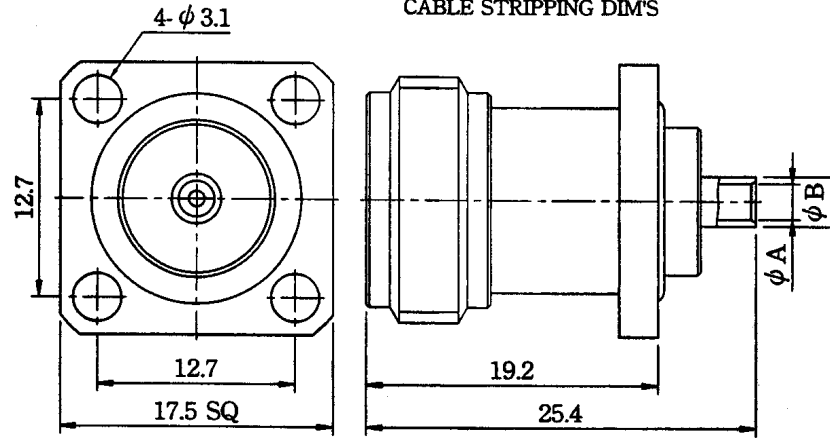


**SPECIFICATIONS**

Impedance: 50 ohms  
 Frequency range: 0-11 GHz  
 Voltage rating: 1,000 VRMS max.  
 Withstanding: 2,500 VRMS for 1 min.  
 VSWR: 1.3 max.  
 Inner contact resistance: 3 milliohms max.  
 Outer contact resistance: 2 milliohms max.  
 Insulator resistance: 5,000 megohms min.  
 Body material: Brass  
 Body plating: Nickel  
 Center contact: Phosphor bronze  
 Insulator material: Teflon, Delrin



**RECOMMENDED  
CABLE STRIPPING DIM'S**



.085" Cable A=2.2 min B=3.2 min  
 .141" Cable A=3.6 min B=4.6 min

RoHS compliant

Rev.	Description	Date	Approved	Drawing	Name	Date
				Approved	Howard	08/10/99
				Checked	Lizzy	08/10/99
				Drawn	Tina	08/10/99
				0.0 ± 0.35	0.00 ± 0.20	Angles ± 3'
					UNIT: mm	

**Central Components Manufacturing**  
 440 Lincoln Blvd., Middlesex, New Jersey 08846  
 Phone 732 469-5720 888 288-5152 Fax 732 469-1919

Part No.: **CRF-CCM-N-7318-A**

Description: N connector, female, solder type, panel mount