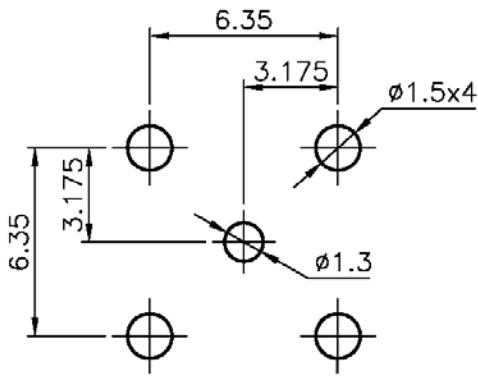
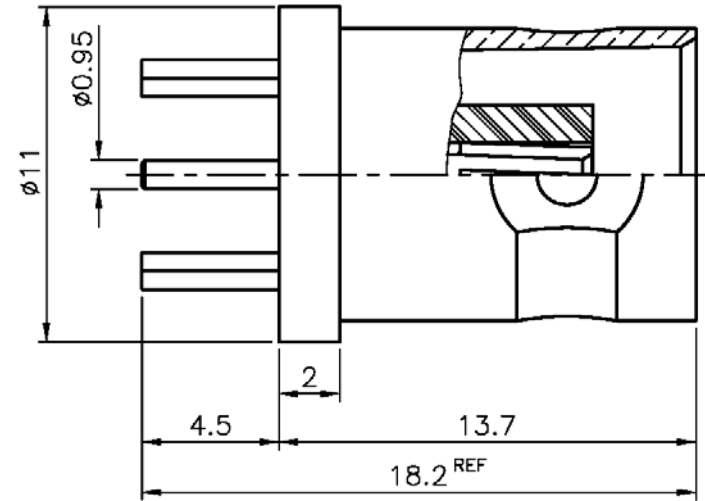
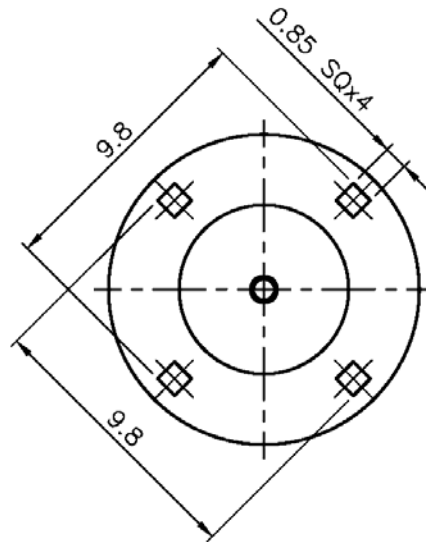


SPECIFICATIONS

Contact material:	Brass
Contact plating:	Gold
Insulator material:	Teflon, white
Body material:	Brass
Body plating:	Nickel



P.C.B. LAYOUT



RoHS compliant

Rev.	Description	Date	Approved	Drawing	Name	Date
				Approved	Howard	08/10/99
				Checked	Lizzy	08/10/99
				Drawn	Tina	08/10/99
				0.0 ± 0.35	0.00 ± 0.20	Angles ± 3'
				UNIT: mm		

Central Components Manufacturing
 440 Lincoln Blvd., Middlesex, New Jersey 08846
 Phone 732 469-5720 888 288-5152 Fax 732 469-1919

Part No.: **CRF-BNC-R7038-BNTG-A**

Description: BNC jack, PCB mount