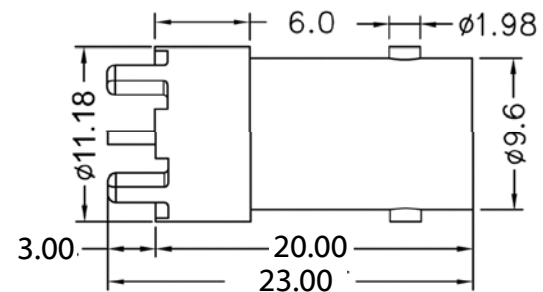
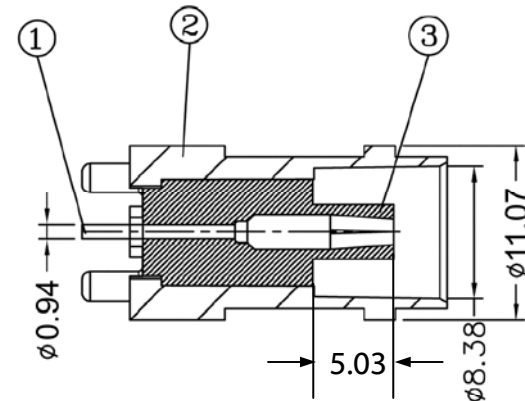
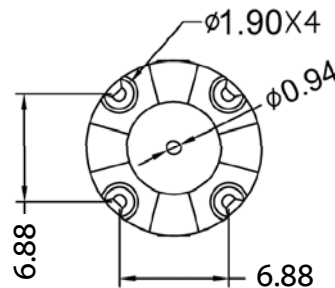


**Recommended PC Board Layout**

Item	Name	Material	Finish
1	Center Contact	Phosphor Bronze	Gold Plating
2	Body	Zinc Alloy	Nickel Plating
3	Insulator	PTFE	



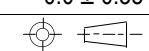
RoHS compliant

Rev.	Description	Date	Approved	Drawing	Name	Date
A	DWG	11/25/08	Greg	Approved	Howard	11/26/08
B	DWG	11/26/08	Greg	Checked	Lizzy	11/26/08
				Drawn	Tina	11/26/08

**Central Components Manufacturing**  
 440 Lincoln Blvd., Middlesex, New Jersey 08846  
 Phone 732 469-5720 888 288-5152 Fax 732 469-1919

Part No.: **CRF-BNC-EXP02**

Description: 75 OHM BNC Connector

0.0 ± 0.35 0.00 ± 0.20 Angles ± 3'  
 UNIT: mm