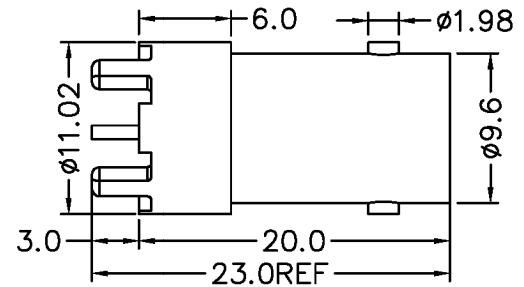
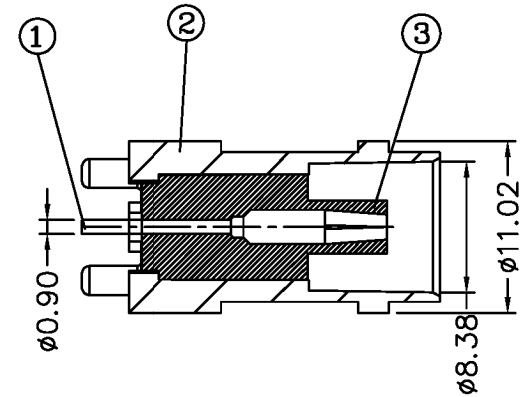
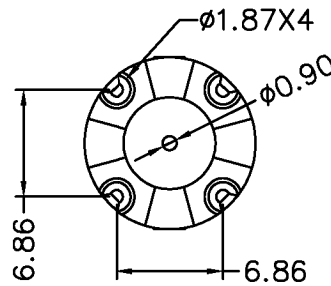


Recommended PC Board Layout

Item	Name	Material	Finish
1	Center Contact	Bronze	Gold Plating
2	Body	Zinc Alloy	Nickel Plating
3	Center Contact	Bronze	Gold Plating



RoHS compliant

Rev.	Description	Date	Approved	Drawing	Name	Date
				Approved	Howard	10/21/08
				Checked	Lizzy	10/21/08
				Drawn	Tina	10/21/08
				0.0 ± 0.35	0.00 ± 0.20	Angles ± 3'
				UNIT: mm		

Central Components Manufacturing
440 Lincoln Blvd., Middlesex, New Jersey 08846
Phone 732 469-5720 888 288-5152 Fax 732 469-1919

Part No.: **CRF-BNC-EXP01**

Description: 75 OHM BNC Connector

1

2

3

4

5

6

7

8

9