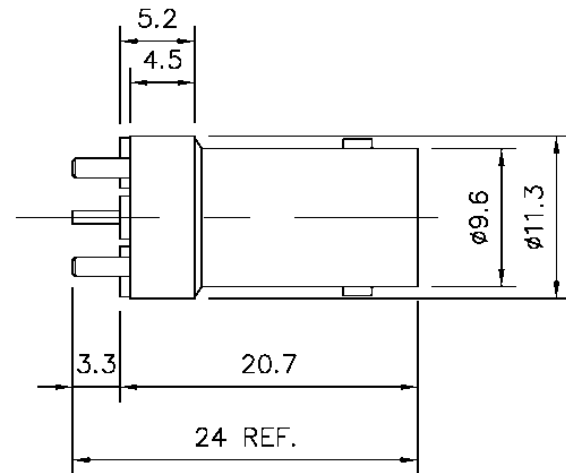
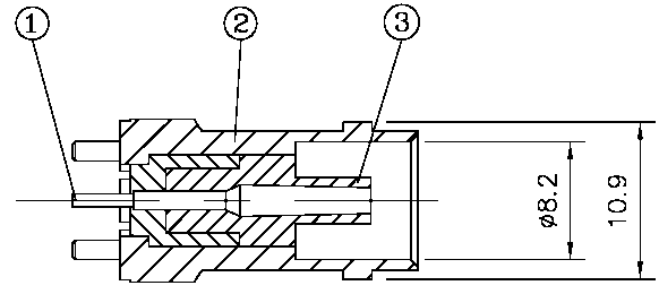
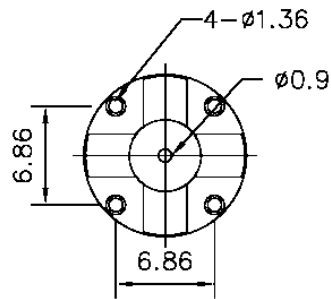


**RECOMMENDED PC BOARD LAYOUT  
WITHOUT MOUNTING POSTS**



Item	Name	Material	Finish
1	Center contact	Bronze	Gold
2	Body	Zinc alloy	Nickel
3	insulator	TPX	

RoHS compliant

Rev.	Description	Date	Approved	Drawing	Name	Date
				Approved	Howard	08/10/99
				Checked	Lizzy	08/10/99
				Drawn	Tina	08/10/99
				0.0 ± 0.35	0.00 ± 0.20	Angles ± 3°
						UNIT: mm

**Central Components Manufacturing**  
 440 Lincoln Blvd., Middlesex, New Jersey 08846  
 Phone 732 469-5720 888 288-5152 Fax 732 469-1919

Part No.: **CRF-BNC-7BV-41M-B**

Description: Commercial BNC jack, vertical PCB mount