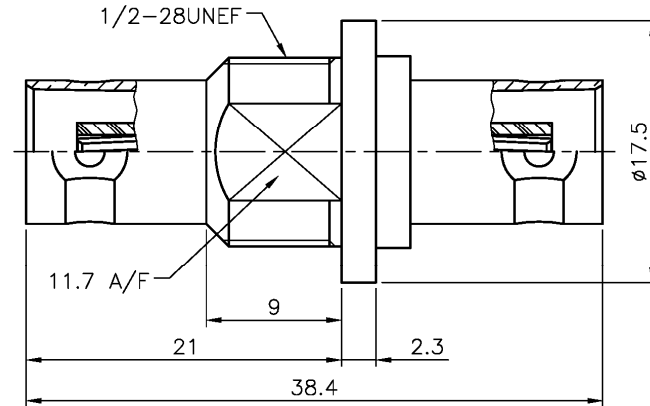


RECOMMENDED
MOUNTING HOLE



Item	Name	Material	Finish
1	Body	Brass	Nickel over Copper
2	Insulator	Delrin	White
3	Contact Pin	Brass	Gold over Nickel over Copper
4	Lock Ring	Brass	Nickel over Copper
5	Gasket	Rubber	Orange
6	Washer	SS41	Nickel over Copper
7	Nut	Brass	Nickel over Copper

RoHS compliant

Rev.	Description	Date	Approved	Drawing	Name	Date
				Approved	Howard	03/05/07
				Checked	Lizzy	03/05/07
				Drawn	Tina	03/05/07
				0.0 ± 0.35	0.00 ± 0.20	Angles ± 3'
						UNIT: mm

Central Components Manufacturing
 440 Lincoln Blvd., Middlesex, New Jersey 08846
 Phone 732 469-5720 888 288-5152 Fax 732 469-1919

Part No.: **CRF-BNC-7078CS-500CF000B**

Description: BNC Bulkhead Jack to Jack Adaptor