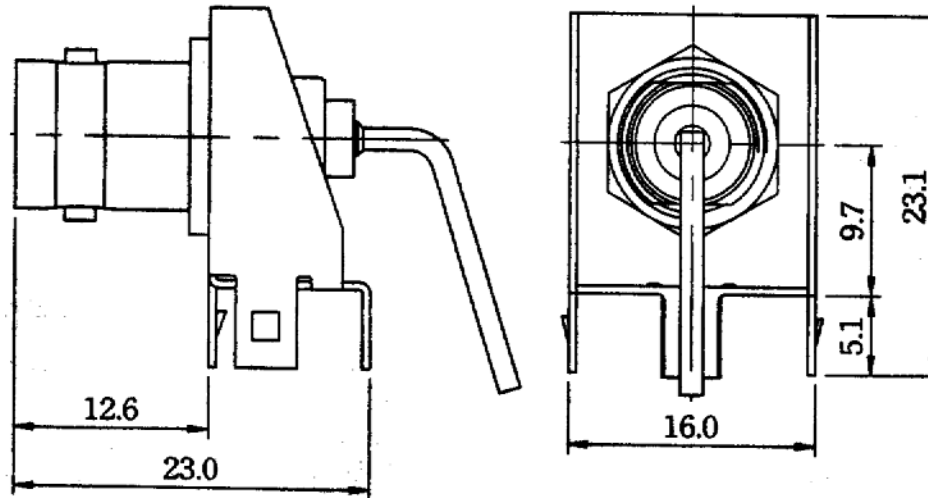


**SPECIFICATIONS**

Impedance: 50 ohm  
 Frequency range: 0-4 GHz  
 Voltage rating: 500 VRMS  
 VSWR: 1.5 max.  
 Contact resistance: Outer 2 milliohms max.  
 Center 3 milliohms max.  
 Insulation resistance: 5000 megohms min.  
 Withstanding: 1500 VRMS  
 Durability: 500 cycles min.  
 Operating temperature: -40°C to +70°C



RoHS compliant

Rev.	Description	Date	Approved	Drawing	Name	Date
				Approved	Howard	08/10/99
				Checked	Lizzy	08/10/99
				Drawn	Tina	08/10/99
				0.0 ± 0.35	0.00 ± 0.20	Angles ± 3'
						UNIT: mm

**Central Components Manufacturing**  
 440 Lincoln Blvd., Middlesex, New Jersey 08846  
 Phone 732 469-5720 888 288-5152 Fax 732 469-1919

Part No.: **CRF-BNC-7039-BNTG-A**

Description: BNC jack, PCB mount