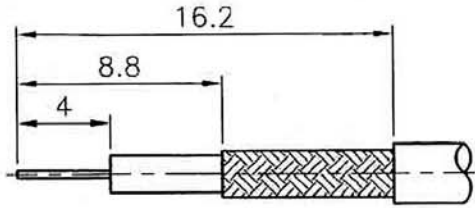
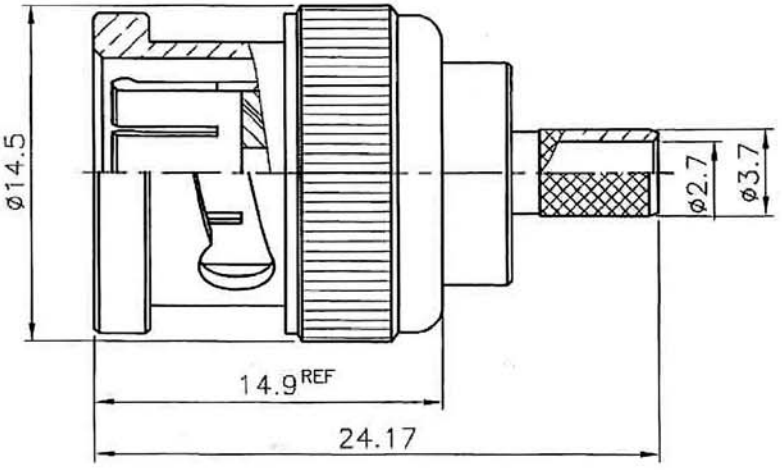


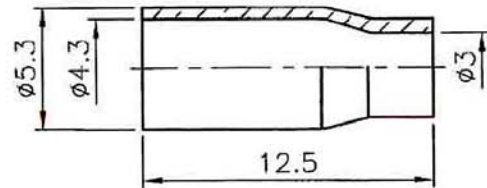
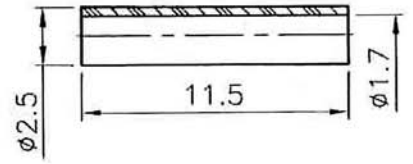
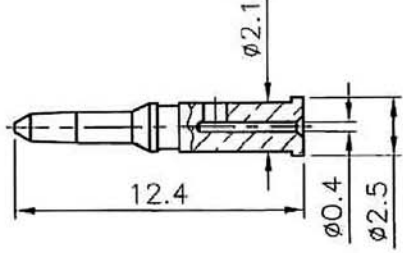
Name	Material	Finish
Body	Brass per QQ-B-626	Nickel 70 μ " over copper strike
Insulator	Delrin	White
Washer	SS41	Nickel 70 μ " over copper strike
Spring	SK5	Nickel 70 μ " over copper strike
C Ring	SS41	Nickel 70 μ " over copper strike
Gasket	Silicone	Red
Shell	Zinc diecast	Nickel 70 μ " over copper strike
Contact pin	Brass per QQ-B-626	Gold 3 μ " over nickel 70 μ " over copper strike
Spacer	Delrin	White
Ferrule	Brass JIS H 3250, C 2700	Nickel 70 μ " over copper strike



Recommended cable stripping dimensions



Ferrule hex crimp size: 0.178"
 Contact pin hex crimp size: 0.068



RoHS compliant

Rev.	Description	Date	Approved	Drawing	Name	Date
				Approved	Howard	10/05/07
				Checked	Lizzy	10/05/07
				Drawn	Tina	10/05/07
				0.0 ± 0.35	0.00 ± 0.20	Angles ± 3'
				UNIT: mm		

Central Components Manufacturing
 440 Lincoln Blvd., Middlesex, New Jersey 08846
 Phone 732 469-5720 888 288-5152 Fax 732 469-1919

Part No.: **CRF-BNC-7011NS-711ZU004B-B**

Description: BNC crimp plug, 75 ohms, for RG-179/U, 187A/U