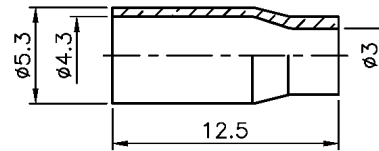
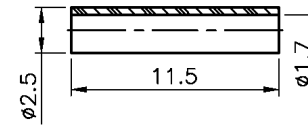
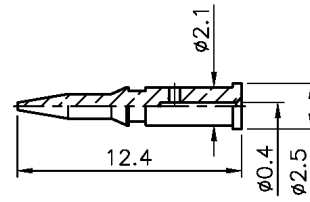
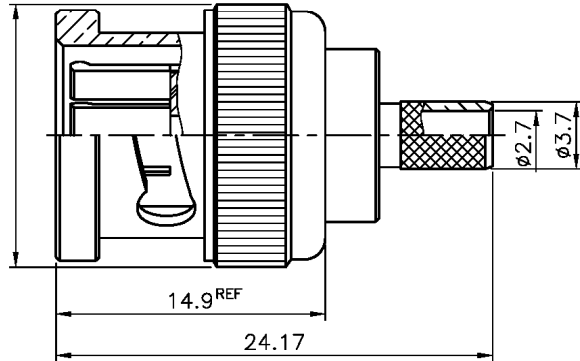


Recommended cable stripping dimensions



1. Crimped ferrule
hex crimp size .178" (4.52mm)
2. Crimped contact pin
hex crimp size .068" (1.72mm)

Name	Material	Finish	Name	Material	Finish
Body	Brass per QQ-B-626	Nickel 70 μ " over copper strike	Gasket	Silicone	Red
Insulator	Delrin	White	Shell	Brass per QQ-B-626	Nickel 70 μ " over copper strike
Washer	SS41	Nickel 70 μ " over copper strike	Contact pin	Brass per QQ-B-626	Gold 3 μ " over nickel 70 μ " over copper strike
Spring	SK5	Nickel 70 μ " over copper strike	Spacer	Delrin	White
C ring	SS41	Nickel 70 μ " over copper strike	Ferrule	Brass JIS H 3250, C 2700	Nickel 70 μ " over copper strike

RoHS compliant

Rev.	Description	Date	Approved	Drawing	Name	Date
				Approved	Howard	10/29/08
				Checked	Lizzy	10/29/08
				Drawn	Tina	10/29/08
				0.0 \pm 0.35	0.00 \pm 0.20	Angles \pm 3'
				UNIT: mm		

Central Components Manufacturing
 440 Lincoln Blvd., Middlesex, New Jersey 08846
 Phone 732 469-5720 888 288-5152 Fax 732 469-1919

Part No.: **CRF-BNC-7011NS-711CF001B**

Description: BNC crimp plug 75 ohms (for RG-179, U, 187A/U)