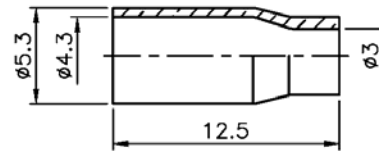
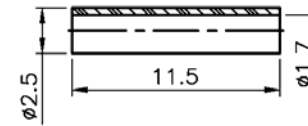
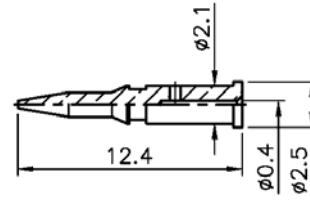
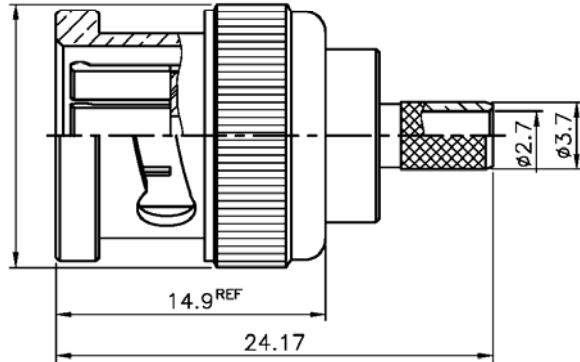


Recommended cable stripping dimensions



- 1. Crimped ferrule
hex crimp size .178" (4.52mm)
- 2. Crimped contact pin
hex crimp size .068" (1.72mm)

Name	Material	Finish	Name	Material	Finish
Body	Brass per QQ-B-626	Nickel 70μ" over copper strike	Gasket	Rubber	Red
Insulator	Delrin	White	Shell	Brass per QQ-B-626	Nickel 70μ" over copper strike
Washer	SS41	Nickel 70μ" over copper strike	Contact pin	Brass per QQ-B-626	Gold 3μ" over nickel 70μ" over copper strike
Spring	SK5	Nickel 70μ" over copper strike	Spacer	Delrin	White
C ring	SS41	Nickel 70μ" over copper strike	Ferrule	Brass JIS H 3250, C 2700	Nickel 70μ" over copper strike

RoHS compliant

Rev.	Description	Date	Approved	Drawing	Name	Date
				Approved	Howard	03/14/07
				Checked	Lizzy	03/14/07
				Drawn	Tina	03/14/07
				0.0 ± 0.35	0.00 ± 0.20	Angles ± 3'
				UNIT: mm		

Central Components Manufacturing
 440 Lincoln Blvd., Middlesex, New Jersey 08846
 Phone 732 469-5720 888 288-5152 Fax 732 469-1919

Part No.: **CRF-BNC-7011NS-711CF-B**

Description: BNC crimp plug for RG-179/U, 187A/U, 75 ohm