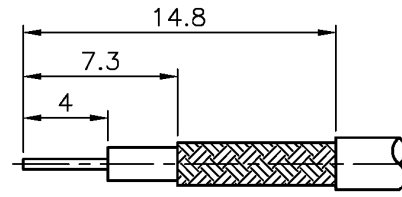
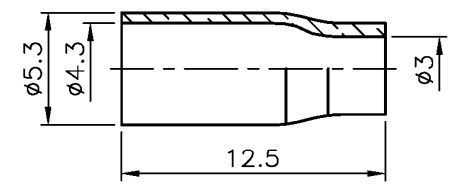
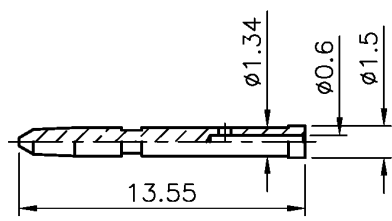
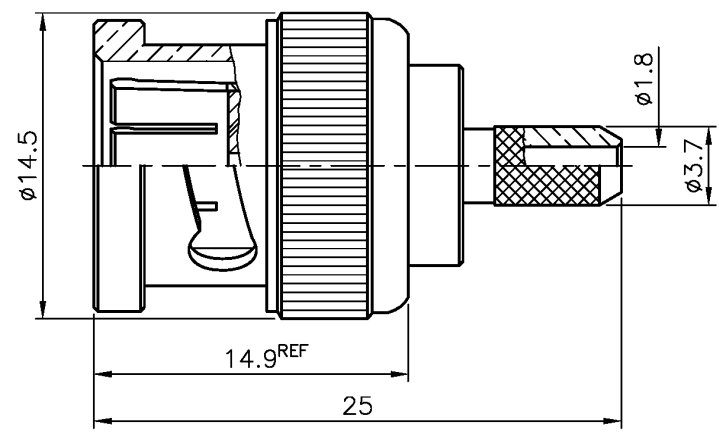


1. Crimped ferrule hex crimp size .178" (4.25mm)
2. Crimped contact pin square crimp size .042" (1.07mm)



Recommended Cable Stripping Dimensions



Name	Material	Finish
Body	Brass, QQ-B-626	Nickel 70μ" over copper strike
Insulator	Teflon, MIL-P-19468	White
Washer	SS41	Nickel 70μ" over copper strike
Spring	SK5	Nickel 70μ" over copper strike
C ring	SS41	Nickel 70μ" over copper strike
Gasket	Silicone	Red
Shell	Zinc diecast	Nickel 70μ" over copper strike
Contact pin	Brass, QQ-B-626	Gold 3μ" over nickel 70μ" over copper strike
Ferrule	Brass, JIS H 3250, C 2700	Nickel 70μ" over copper strike

RoHS compliant

Rev.	Description	Date	Approved	Drawing	Name	Date
				Approved	Howard	10/31/07
				Checked	Lizzy	10/31/07
				Drawn	Tina	10/31/07
				0.0 ± 0.35	0.00 ± 0.20	Angles ± 3'
				UNIT: mm		

**Central Components Manufacturing**  
 440 Lincoln Blvd., Middlesex, New Jersey 08846  
 Phone 732 469-5720 888 288-5152 Fax 732 469-1919

Part No.: **CRF-BNC-7011NS-700ZU033B**

Description: BNC crimp plug, 75 ohms

