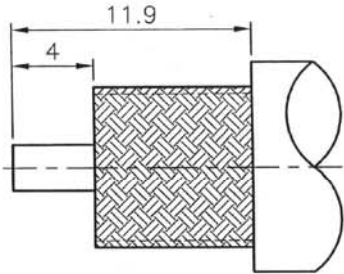
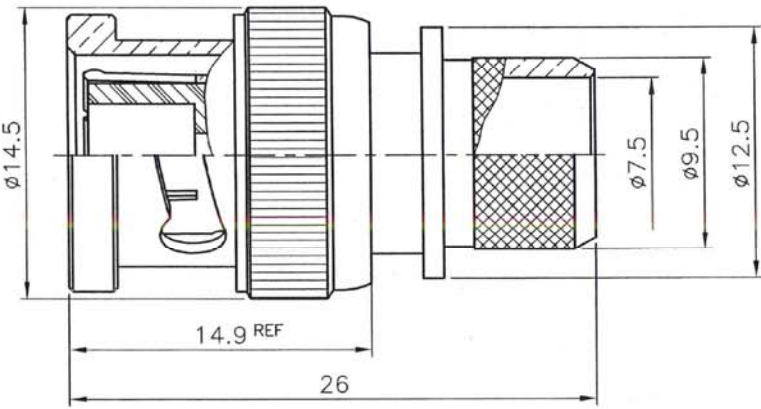
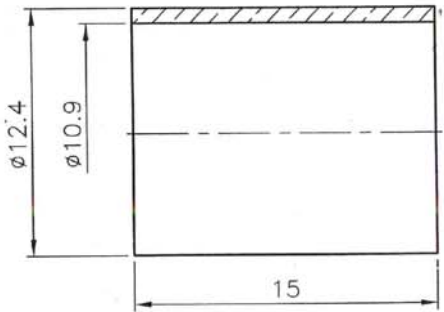
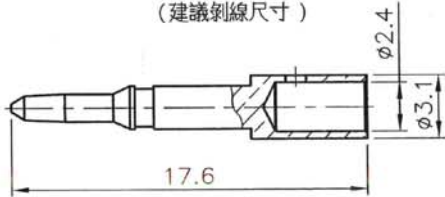


Name	Material	Finish
Body	Brass per QQ-B-626	Nickel 70 μ " over copper strike
Insulator	Delrin	White
Washer	SS41	Nickel 70 μ " over copper strike
Washer	SK5	Nickel 70 μ " over copper strike
C Ring	SS41	Nickel 70 μ " over copper strike
Gasket	Silicone	Red
Shell	Brass per QQ-B-626	Nickel 70 μ " over copper strike
Contact pin	Brass per QQ-B-626	Gold 3 μ " over nickel 70 μ " over copper strike
Ferrule	Brass JIS H 3250, C 2700	Nickel 70 μ " over copper strike



RECOMMENDED
CABLE STRIPPING DIM'S
(建議剝線尺寸)



RoHS compliant

Rev.	Description	Date	Approved	Drawing	Name	Date
				Approved	Howard	01/24/08
				Checked	Lizzy	01/24/08
				Drawn	Tina	01/24/08
				0.0 ± 0.35	0.00 ± 0.20	Angles ± 3'
					UNIT: mm	

Central Components Manufacturing
 440 Lincoln Blvd., Middlesex, New Jersey 08846
 Phone 732 469-5720 888 288-5152 Fax 732 469-1919

Part No.: **CRF-BNC-7011NS-513CF00B**

Description: BNC crimp plug, for RG-213/U, RG-8, B8267