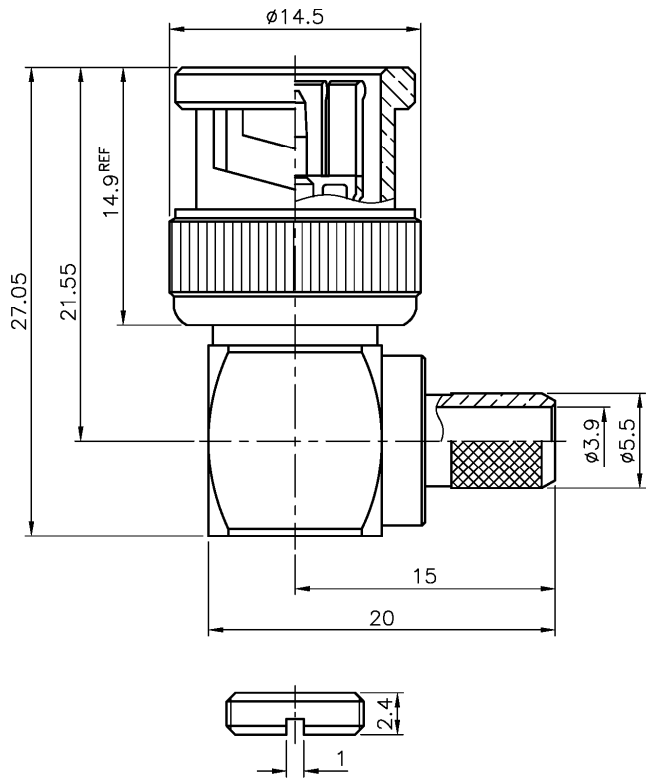
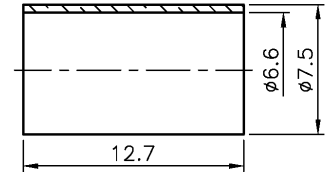


RECOMMENDED
CABLE STRIPPING DIM'S



CRIMPED FERRULE:
Hex Crimp Size .255" (6.48mm)

SOLDER CONTACT PIN



Item	Name	Material	Finish
1	Body	Brass	Nickel over Copper
2	Insulator	Delrin	White
3	Contact Pin	Brass	Gold over Nickel over Copper
4	Cube Body	Brass	Nickel over Copper
5	Washer	SS41	Nickel over Copper
6	Spring	SK5	Nickel over Copper
7	C Ring	SS41	Nickel over Copper
8	Gasket	Silicone	Red
9	Shell	Brass	Nickel over Copper
10	Nut	Brass	Nickel over Copper
11	Ferrule	Brass	Nickel over Copper

RoHS compliant

Rev.	Description	Date	Approved	Drawing	Name	Date
				Approved	Howard	12/03/08
				Checked	Lizzy	12/03/08
				Drawn	Tina	12/03/08
				0.0 ± 0.35	0.00 ± 0.20	Angles ± 3'
				 UNIT: mm		


Central Components Manufacturing
 440 Lincoln Blvd., Middlesex, New Jersey 08846
 Phone 732 469-5720 888 288-5152 Fax 732 469-1919

Part No.: **CRF-BNC-7011NR-705CF000B**

Description: BNC R/A Crimp Plug