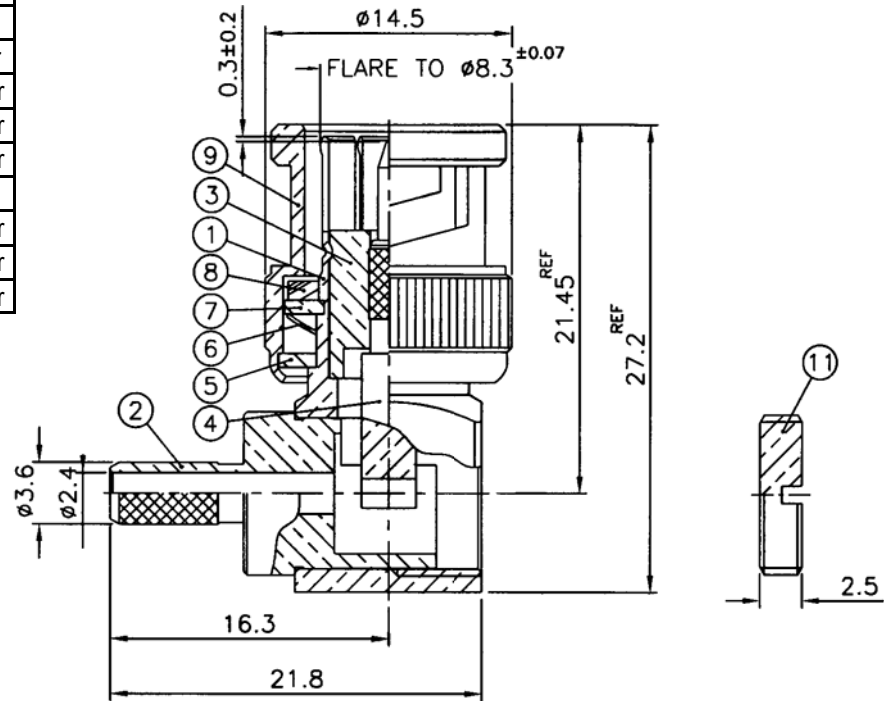
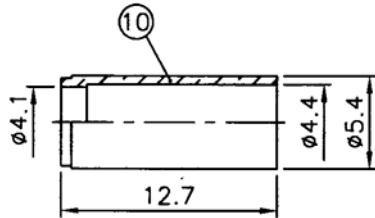
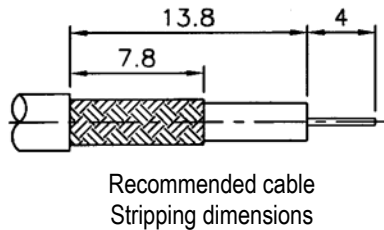


Item	Name	Material	Finish
1	Body	Brass per QQ-B-626	Nickel 70 μ " min. over copper
2	Braid holder	Brass per QQ-B-626	Nickel 70 μ " min. over copper
3	Insulator	Teflon MIL-P-19468	White
4	Contact pin	Brass per QQ-B-626	Gold over nickel over copper
5	Washer	SS41	Nickel 70 μ " min. over copper
6	Spring	SK5	Nickel 70 μ " min. over copper
7	C Ring	SS41	Nickel 70 μ " min. over copper
8	Gasket	Rubber	Red
9	Shell	Brass per QQ-B-626	Nickel 70 μ " min. over copper
10	Ferrule	Brass per QQ-B-626	Nickel 70 μ " min. over copper
11	Nut	Brass per QQ-B-626	Nickel 70 μ " min. over copper



RoHS compliant

Rev.	Description	Date	Approved	Drawing	Name	Date
				Approved	Howard	01/19/04
				Checked	Lizzy	01/19/04
				Drawn	Tina	01/19/04
				0.0 ± 0.35	0.00 ± 0.20	Angles ± 3'
						UNIT: mm

Central Components Manufacturing
 440 Lincoln Blvd., Middlesex, New Jersey 08846
 Phone 732 469-5720 888 288-5152 Fax 732 469-1919

Part No.: **CRF-BNC-7005-BNTGQ-B**

Description: BNC right angle male solder type for RG735/U, 75 ohm