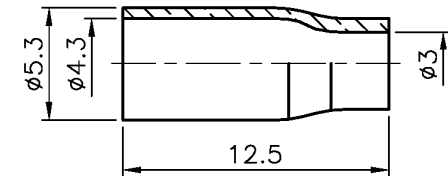
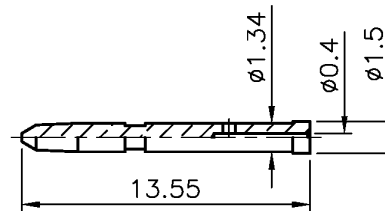
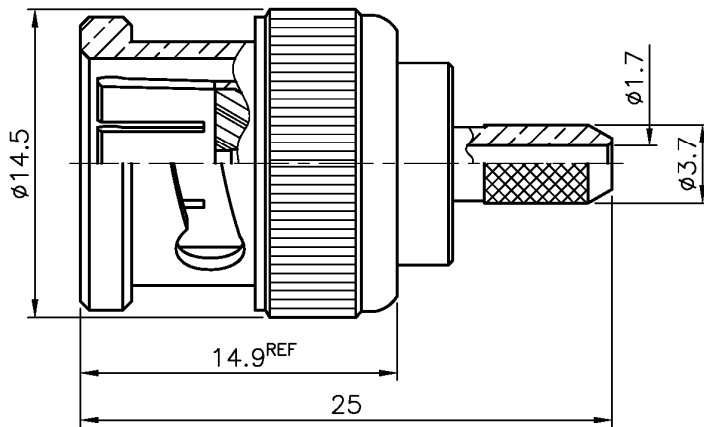


RECOMMENDED
CABLE STRIPPING DIM'S



Ferrule hex crimp size: 0.178"
Contact pin hex crimp size: 0.068

Name	Material	Finish
Body	Brass per QQ-B-626	Nickel 70 μ " over copper strike
Insulator	Teflon, MIL-P-19468	White
Washer	SS41	Nickel 70 μ " over copper strike
Spring	SK5	Nickel 70 μ " over copper strike
C Ring	SS41	Nickel 70 μ " over copper strike
Gasket	Rubber	Red
Shell	Zinc diecast	Nickel 70 μ " over copper strike
Contact pin	Brass per QQ-B-626	Gold 3 μ " over nickel 70 μ " over copper strike
Ferrule	Brass JIS H 3250, C 2700	Nickel 70 μ " over copper strike

RoHS compliant

Rev.	Description	Date	Approved	Drawing	Name	Date
				Approved	Howard	03/31/06
				Checked	Lizzy	03/31/06
				Drawn	Tina	03/31/06
				0.0 \pm 0.35	0.00 \pm 0.20	Angles \pm 3'
					UNIT: mm	



Central Components Manufacturing

440 Lincoln Blvd., Middlesex, New Jersey 08846
Phone 732 469-5720 888 288-5152 Fax 732 469-1919

Part No.: **CRF-BNC-7001-11ZNTG-R**

Description: BNC crimp plug, 75 ohm; for RG-179/U and 187A/U