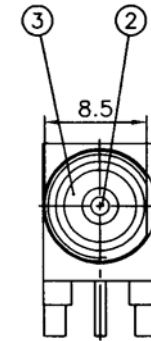
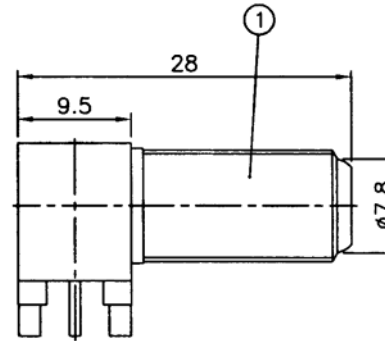
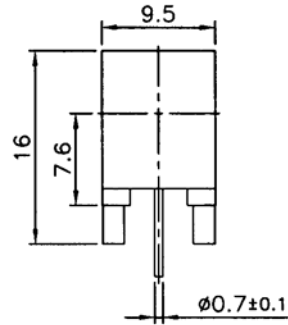
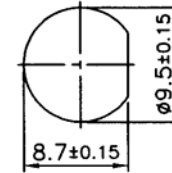
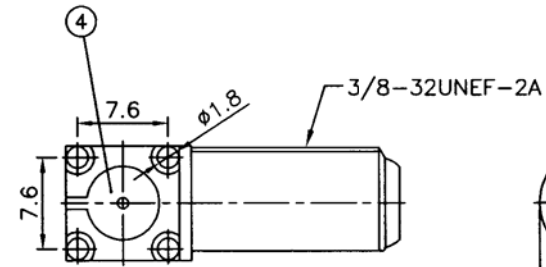
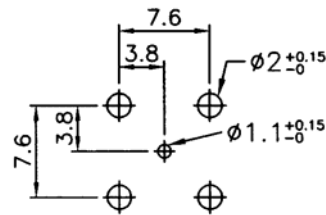


SPECIFICATIONS

Impedance: 75 ohms
 Frequency range: 0-2 GHz
 Voltage rating: 250 VRMS
 VSRW 1.35 max.
 Center contact resistance: 5 milliohms max.
 Outer contact resistance: 1 milliohm max.



Item	Description	Material	Finish
1	Body	Zinc	Nickel
2	Contact	Phosphor bronze	Tin
3	Insulator	PE-606	White
4	Insulator	PE-606	White



RECOMMENDED MOUNTING HOLE

RoHS compliant

Rev.	Description	Date	Approved	Drawing	Name	Date
				Approved	Howard	10/10/92
				Checked	Lizzy	10/10/92
				Drawn	Tina	10/10/92
				0.0 ± 0.35	0.00 ± 0.20	Angles ± 3'
				UNIT: mm		

Central Components Manufacturing
 440 Lincoln Blvd., Middlesex, New Jersey 08846
 Phone 732 469-5720 888 288-5152 Fax 732 469-1919
 Part No.: **CRF-BJ-7230-ZNPT003**

Description: F connector, right angle board mount